

Features

- Front, Rear or Reverse Camera
- Universal Surface Mount
- 170° Horizontal Lens Angle
- 720P HD Resolution
- AHD/TVI Compatible (Loop Setting Optional)
- For AHD/TVI Compatible Monitors Only
- Parking Guidelines (Loop Setting Optional)
- Mirror Image (Loop Setting Optional)
- PAL System 25 FPS
- DC 12V Compatible
- Waterproof / Dustproof

Inclusions

- Surface Mount Camera
- 6M RCA Video Cable with Trigger
- Camera Harness
- Product Manual

Technical Assistance

If you need assistance setting up or using your Aerpro product now or in the future, call Aerpro Support.

Australia

TEL: 03 – 8587 8898

FAX: 03 – 8587 8866

Mon-Fri 9am – 5pm AEST

Please retain this user guide for future reference.

ACHD1

USER MANUAL

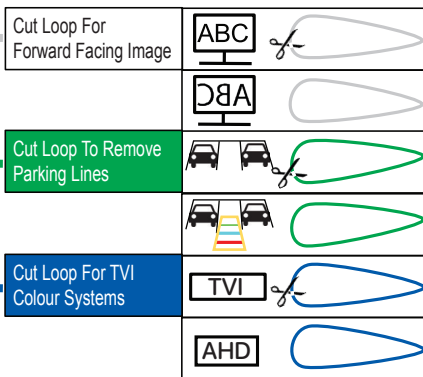
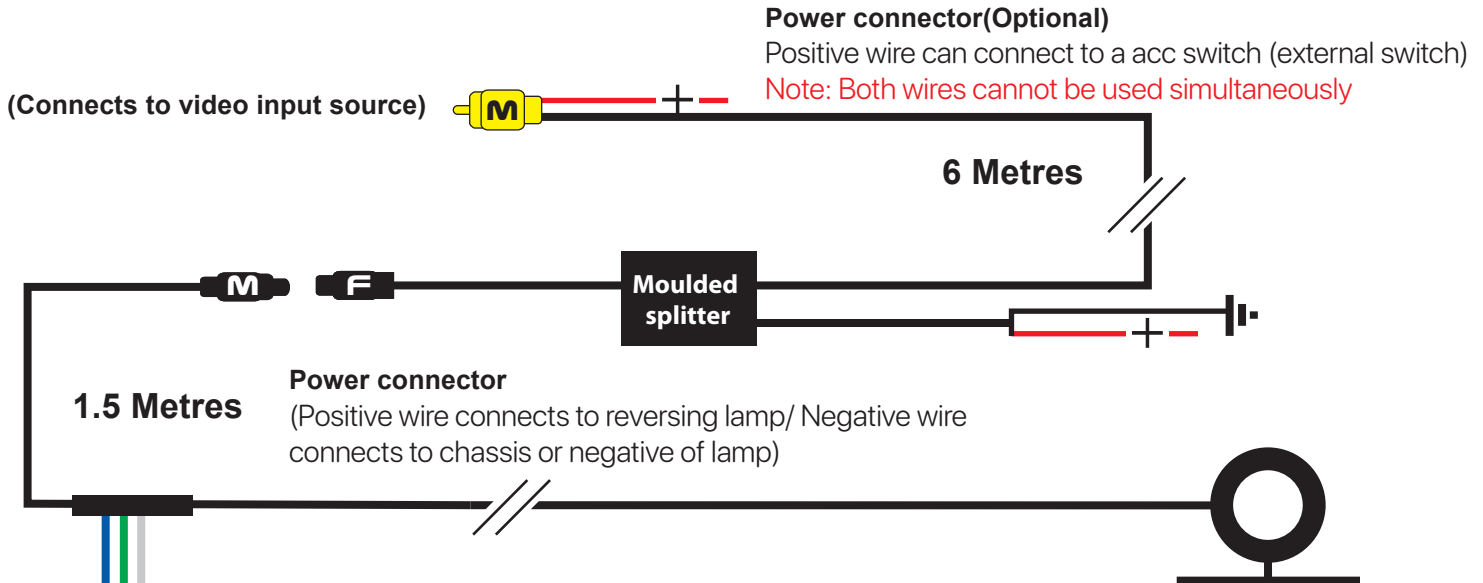


For more information
on the Aerpro range
go to our website

INCLUSIONS:

Surface Mount Camera, 6M RCA Video Cable with Trigger
and Camera Harness

Wiring Diagram (Loop System)



Loop options	Cut	Loop
● Video system	TVI	AHD
● Parking Lines	None	With
● Image	Front	Mirror

Note: When cutting loop wires make sure power to the camera is turned off. For **CAN-BUS** vehicles you will require a **GRCANFLT** CAN-BUS filter. (Sold separately).