



9" FLOATING MULTIMEDIA RECEIVER

Wireless Apple CarPlay & Android Auto™

INSTALL/USER MANUAL

AM9XFW

androidauto

Android Auto, Google Play, Android, are registered trademarks of Google, Inc. Bluetooth is a registered trademark of Bluetooth SIG, Inc.



Works with
Apple CarPlay

Apple, Apple Car Play, Apple iPhone, Apple Music and Siri are registered trademarks of Apple, Inc.

Android Auto and Apple CarPlay is not owned or controlled by any car manufacturer and are not responsible for the privacy practices of third parties or the terms and conditions under which they offer such products. We strongly encourage you to read the Android Auto or Apple CarPlay privacy policies and terms and conditions to make sure they are acceptable to you.

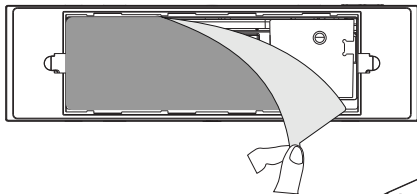
INCLUSIONS: Head unit, GPS antenna, microphone, wiring harness, mounting sleeve, trim ring, release keys, side panel covers, AV cable & screws

DISCLAIMER: We recommend using an Authorised Dealer that offers an installation service to install this product. Never cut or modify a harness as this could damage the head unit and vehicle, as well as void the warranty of the product.

INSTALLATION

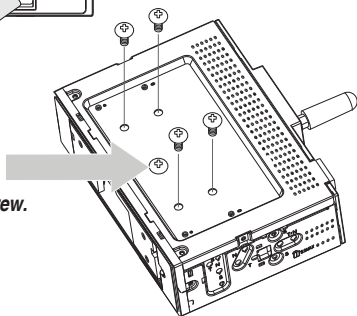
Step #1 Adjusting the LCD Extension (optional)

- Depending on the vehicle, it may be necessary to use the LCD extension to **adjust** the screen position when mounting the unit. The default setting is all the way forward, but if adjustment is necessary, the following steps show how to adjust it to the desired position.

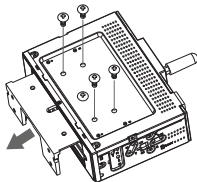


Peel off the label before installation.

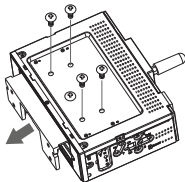
- Remove the 4 screws located on top of the unit.
Note: Do not remove the center screw.



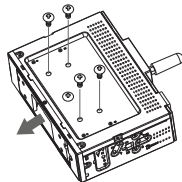
- Depending on your vehicle's dash, the LCD mounting bracket can be adjusted to 3 positions (Flush, 1/2" and 1"). The bracket comes in the Flush setting when purchased. To adjust the bracket to either the 1/2" or 1" setting, gently pull the LCD bracket out from the chassis, adjust it to the desired position and lock it in place by inserting the screws to the top of the chassis. (see below images for reference)



1" (25mm)



1/2" (12.5mm)

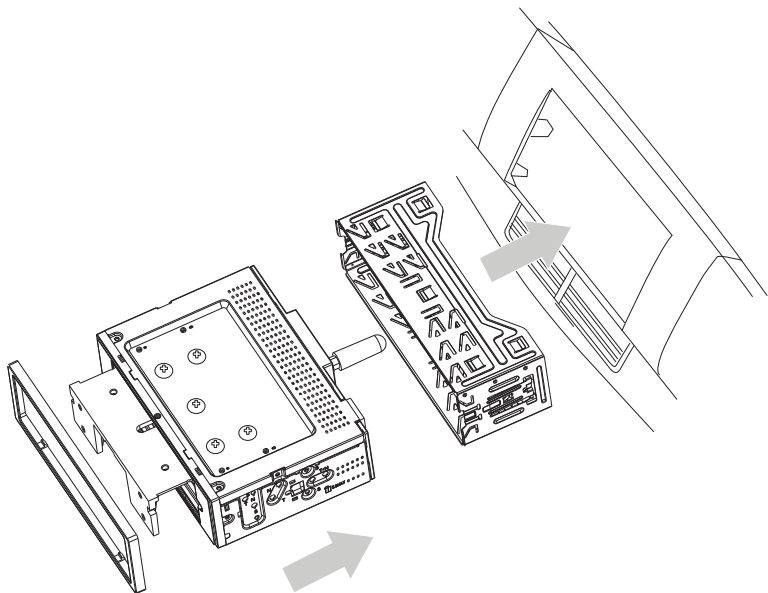


Flush

INSTALLATION

Step #2 Install Mounting Sleeve and Trim Ring

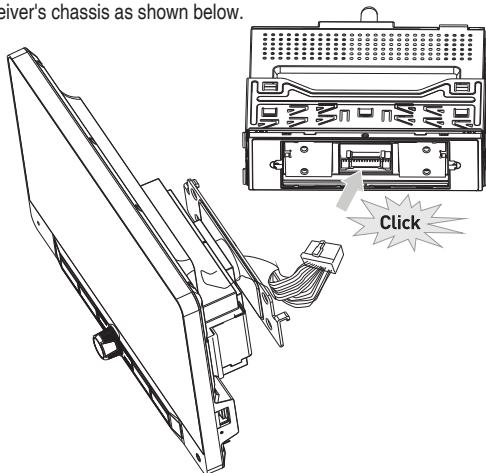
- 1) Install the mounting sleeve into a dash kit (sold separately) or dash opening, bending the tabs to secure the mounting sleeve.
- 2) Connect the wiring harness, microphone and antenna to the chassis of the headunit.
- 3) Snap trim ring into place making sure the notched area is on the bottom.
- 4) Slide the head unit into the mounting sleeve to secure.



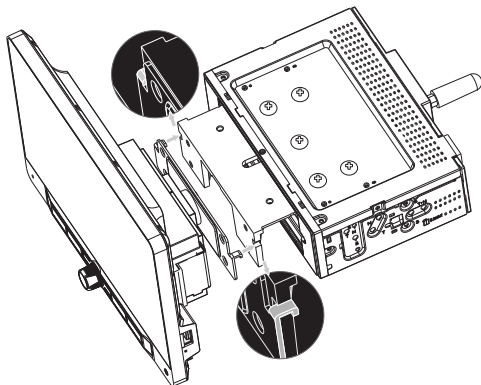
INSTALLATION

Step #3 Connecting the LCD to the Head Unit

- To connect the LCD to the unit, carefully push the LCD wiring harness into the LCD connector of receiver's chassis as shown below.



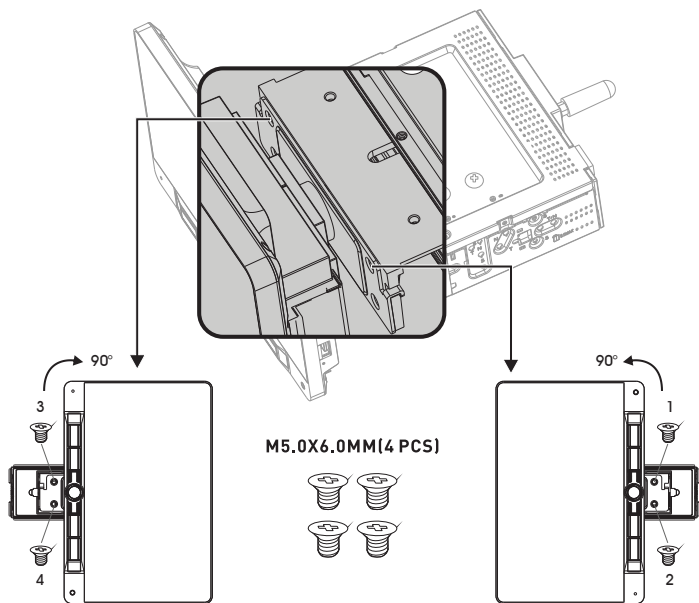
- Use the hinge hooks on the back of the monitor to hold the LCD in place.



INSTALLATION

Step #4 Securing the LCD

- Once the LCD is on the hinge hooks (step #3), use 2 hands to rotate the LCD 90° to the left, and secure one side using 2 LCD mounting screws. Then rotate the LCD to right 90° and secure the other side using the additional 2 LCD mounting screws.

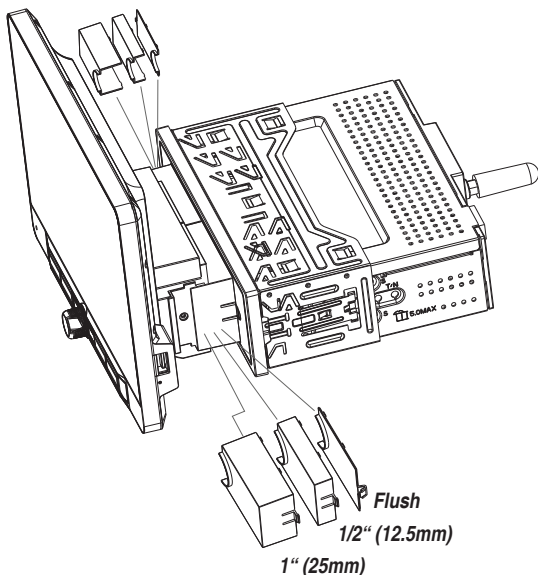


INSTALLATION

Step #4 Side Panel Covers

• Once all four screws have been fastened, cover the LCD extension areas with the side panel covers to complete your installation.

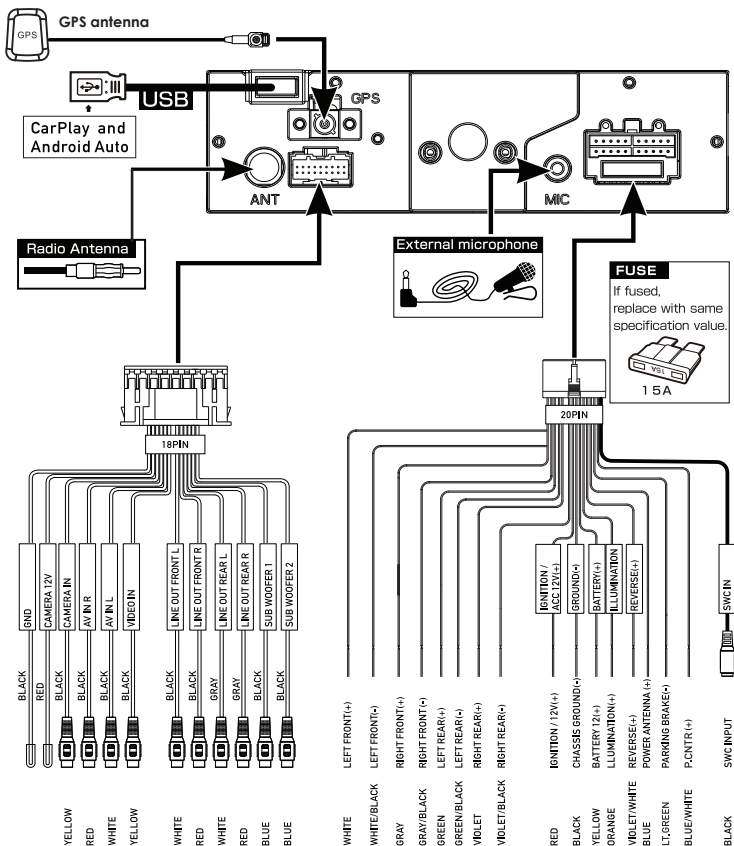
Note: There are three cover options. One to fit each of the three LCD depth extension settings. (A-Flush , B-1/2" (12.5mm) or C- 1"(25mm)



Facias are vehicle specific and their installation may differ, and may have additional supplied brackets or parts and fittings. Refer to the QR code on the product box or visit our website and search for your vehicle/product for vehicle specific facia installation procedures if applicable.

We recommend the use of hand tightening tools only as over-tightening may damage the facia plastics.

WIRING DIAGRAM - INPUTS/OUTPUTS



FEATURES

- Large touchscreen LCD (1024 x 600)
- Works with Apple CarPlay (wireless or wired)
- Supports Android Auto (wireless or wired)
- Built-in Bluetooth (A2DP, AVRCP, HFP, PBAP)
- AM / FM Tuner with RDS & presets (18FM/12AM)
- Reverse camera input (AHD 720P compatible)
- Rear A/V input
- 4V / 6CH RCA Preout
- MP3 / AAC / FLAC / MPEG 1,2,4 Media formats
- Subwoofer level control
- Time alignment capabilities
- Dual USB Front/Rear (2.1A/1.5A)
- 8 Band graphic EQ
- 8 EQ Presets
- 40W x 4 Max built-in amplifier
- Shallow 1-DIN chassis mounting design
- Steering wheel control ready
- External microphone included
- Hema Maps Ready, Aerpro AMHXD3 Integrated Navigation Module required (sold separately) © Hema Maps 2022. Copyright

INTERFACE ICONS

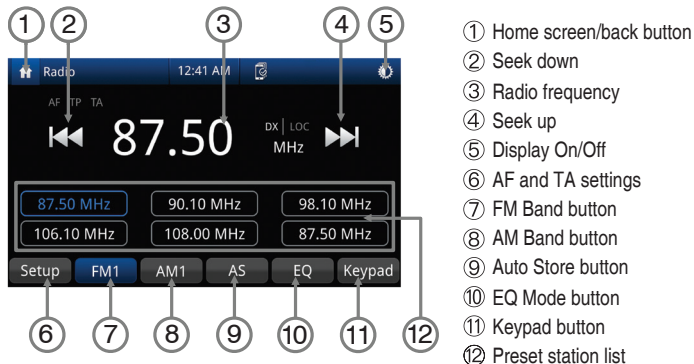


1. Voice Activation Button
2. SOURCE/HOME
3. Power/Volume/Mute

4. Previous Button
5. Next Button
6. RESET / USB Media/Charge port

RADIO MODE

To enter Radio Mode, touch “Radio” icon on the Main Menu



Auto Tuning

Press the seek icon (◀◀ or ▶▶) on the TFT Monitor screen to increase / decrease the tuning frequency one step at 0.05MHz increments for FM and 9KHz increments for AM. Press and hold the seek icon (◀◀ or ▶▶) on the TFT Monitor screen to seek the available channel by increasing or decreasing the tuning frequency.

FM and AM

Touch the “FM1” or “AM1” on the screen to change among the following bands: FM1, FM2, FM3 or AM1 and AM2.

Preset Stations

Six(6) stored stations for the current band appear on the screen, touch the preset directly for use or press the number buttons located on the head unit.

Storing a Station

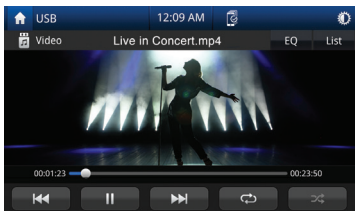
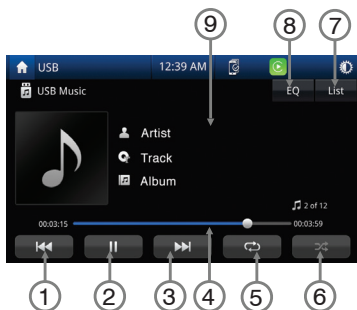
1. Select a station. (Example: FM1 103.6MHz)
2. Touch and Hold the desired preset number for 3 seconds to store the Radio station.

Recalling a Stored Station

1. Select a Band (If needed).
2. Touch the preset button on which the corresponding radio station is stored or press the number button on the Radio panel.

MEDIA PLAYING MODE

This operation allows you to play various compatible formats.




- 1 Touch the icon to return to previous track or press and hold the icon to fast rewind
- 2 Touch the icon to play or pause the track
- 3 Touch the icon to go to next track or press and hold the icon to fast forward
- 4 Touch the end of the progress bar line and drag it left or right to the desired track time
- 5 Touch the icon to repeat a folder or track
- 6 Touch the icon to activate / deactivate the track in random mode
- 7 Touch the icon to show the track list
- 8 Touch the icon to display the equalizer settings
- 9 Playing track ID3 info (needs media file support)

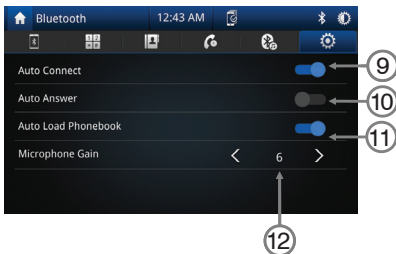
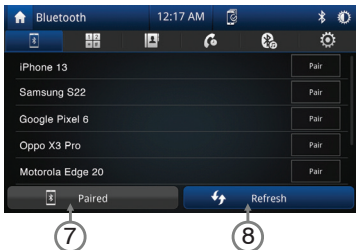
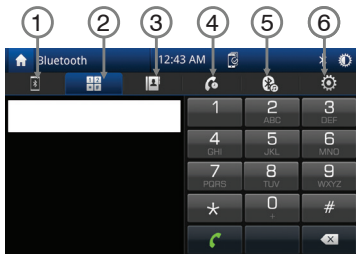
- 10 Touch to go back to previous folder
- 11 Touch for music list
- 12 Touch for video list
- 13 Touch for keypad for quick search
- 14 File List




BLUETOOTH MODE

NOTE: Bluetooth mode can only be accessed when not connected to Android Auto or Apple Carplay. Press  icon to go to connected devices screen.


- When the phone connects to the unit successfully, all of the phone's Bluetooth enabled options will be active.
- This unit can be paired with 5 mobile phones, but only one can be active at a time.
- The unit Bluetooth name is AERPRO



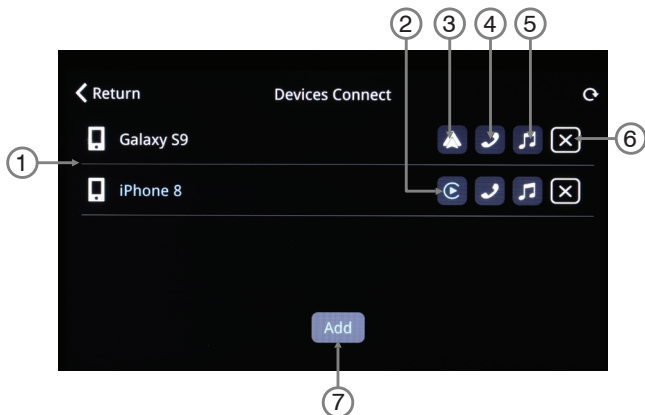
- ① Touch the icon to enter pairing mode
- ② Touch the icon to keypad
- ③ Touch to open the phone book
- ④ Touch to open the phone interface
- ⑤ Touch the icon to enter Bluetooth music
- ⑥ Touch the icon to enter Bluetooth settings
- ⑦ Touch to go to connected device screen
- ⑧ Touch "Refresh" to search for bluetooth devices
- ⑨ Auto connect to your previously paired bluetooth device
- ⑩ Auto answer for incoming calls
- ⑪ Sync Call logs and Contacts
- ⑫ Microphone gain volume control

 > Some mobile phones may not support the download function.
> Depending on the music player you are using, streaming may not be supported.

CONNECTED DEVICES SCREEN

Touch the  icon to access the connected devices screen

This screen displays paired devices and allows the user to turn Android Auto/Apple Carplay or other bluetooth features on or off. (If applicable to the device)



- ① Paired devices
- ② Apple Carplay activate/deactivate
- ③ Android Auto activate/deactivate
- ④ Bluetooth calling activate/deactivate
- ⑤ Bluetooth music activate/deactivate
- ⑥ Remove paired device
- ⑦ Add a new compatible device

NOTE: Only one device can be active at any given time

Bluetooth Calling and Bluetooth Music is deactivated on this screen when using Apple Car Play however Bluetooth Calling and Music work through Apple Car Play as intended.

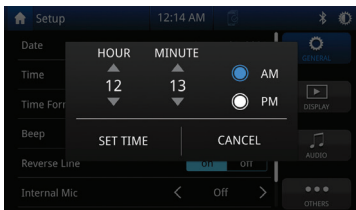
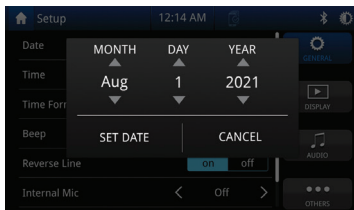
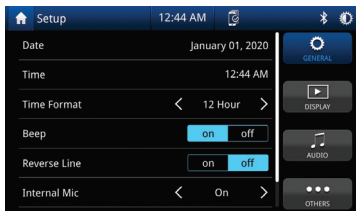
Android Auto requires Bluetooth Calling and Bluetooth Music to be connected and activated for Android Auto to function correctly.

SETUP MENU

Setup menu allows you to change the settings within unit, General, Display, Audio and Others

General

- Touch **“General”** on the Setup Menu display for general settings

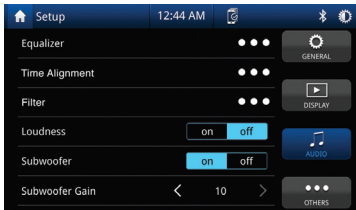


Setting	Options	Functions
Date	Day / Month / Year	Select to adjust calendar date
Time	Hour / Minutes	Select to adjust time
Time Format	12 Hour / 24 Hour	Choose clock mode 12H/24H
Beep	On / Off	Activation / Deactivation of touch screen beep
Reverse Line	On / Off	Adds reversing lines to the reverse camera
Rear Cam Horz Flip	On / Off	Flips rear camera horizontally
Rear Cam Vert Flip	On / Off	Flips rear camera vertically
Internal Mic	On / Off	On uses internal Mic / Off uses external Mic
Microphone Gain	0 to 12	Adjust microphone sensitivity
Radio Region	On / Off	Select your radio region
Right hand Drive	On / Off	Changes indicator bar to left or right of display

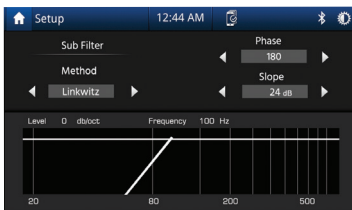
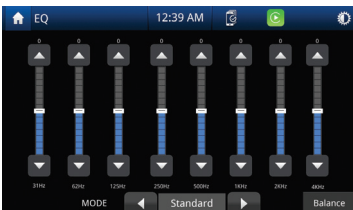
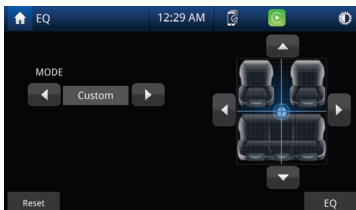
SETUP MENU

Audio

- Touch **“Audio”** on the Setup Menu display for audio adjustment settings



Setting	Options	Functions
Equalizer	-	Balance and EQ setting
Time Alignment	Default / Presets / Reset	Speaker delay
Filter	-	Sub filter settings
Loudness	On / Off	Sound boost
Subwoofer	On / Off	Bass switch
Subwoofer Gain	0 to -10	Heavy bass increases and decreases
Reversing volume	On / Off / Half	Controls music volume when reversing

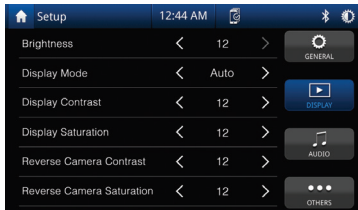


SETUP MENU

Display

- Touch “**Display**” on the Setup Menu display, then select a feature you want to adjust.

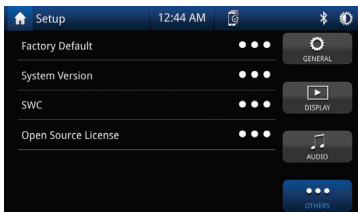
* Requires an illumination wire to be present in the vehicle (Usually orange wire in ISO harness needs to have a connection)



Setting	Options	Functions
Brightness	0 to 20	Touch the desired screen brightness
Dimmer Mode	Auto / Day / Night	Touch the desired screen preset (Auto changes brightness when headlights on*)
Display Contrast	0 to 24	Touch to adjust desired screen contrast
Display Saturation	0 to 24	Touch to adjust desired screen saturation
Reverse Camera Contrast	0 to 24	Touch to adjust desired camera contrast
Reverse Camera Saturation	0 to 24	Touch to adjust desired camera saturation

Others

- Touch “**Others**” on the Setup Menu display, then select for information and factory reset.




Setting	Options	Functions
Factory Default	No / Yes	Touch to return to the factory setting
System Version	-	Software version of the radio
Steering Wheel Controls	-	Touch to manually adjust SWC functions
Open Source License	-	Displays license information

Wired & Wireless CarPlay Operation


NOTE: We recommended that the wired connection method be used for new devices. The park brake needs to be connected for Apple CarPlay to function.



Wired connection

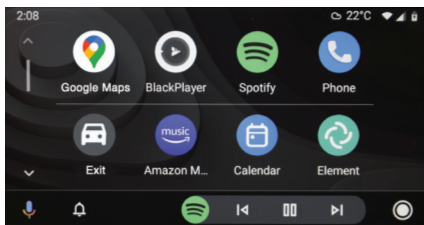
1. Turn on Bluetooth and WiFi on your compatible device
2. Connect an Apple CarPlay compatible device to this unit via rear USB (CP/AA/USB Media)
3. A pair message and a pairing request code may appear on your compatible device and head unit. Click allow to accept
4. An 'Allow CarPlay with Aepro while phone is locked' message may appear on your device. Click allow to accept
5. Click to enable wireless CarPlay or use USB only option
6. Once connection is enabled for wireless carplay, connection via the USB connection is no longer required and wireless connection will be automatic
7. The Apple CarPlay automatically displays on screen, if not press the home button, press  icon and press the Apple CarPlay icon

Wireless connection

1. Before using Apple CarPlay wirelessly, turn on the Bluetooth and WiFi function on the compatible device
2. Navigate to the Bluetooth settings on your compatible device and select Aepro for pairing
3. A pair message and a pairing request code may appear on your compatible device and head unit. Click allow to accept
4. Apple CarPlay automatically displays on screen, if not press the home button, press  icon and press the Apple CarPlay icon

Wired & Wireless Android Auto™ Operation


NOTE: We recommend that the wired connection method be used for new devices. The park brake needs to be connected for Android Auto to function.



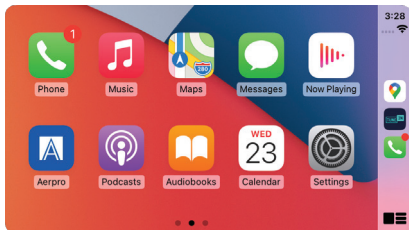
Wired connection

1. Connect an Android Auto™ compatible device to this unit via rear USB (CP/AA/USB Media)
2. Follow on-screen instructions that may appear on your device and head unit
3. Press the Android Auto icon to initiate a connection. The Android Auto home screen appears
4. Once an initial wired connection has been made, connection via the USB connection is no longer required and wireless connection will be automatic.

Wireless connection

1. Before using Android Auto wirelessly, turn on the Bluetooth and WiFi function on the compatible device.
2. Navigate to the Bluetooth settings on your compatible device and select Aerpro for pairing
3. A pair message and a pairing request code may appear on your compatible device and head unit. Click allow to accept
4. Android Auto automatically displays on screen, if not press the home button, press  icon and press the Android Auto icon
5. Follow on-screen instructions that may appear on your device and head unit

HOW TO USE CARPLAY ®

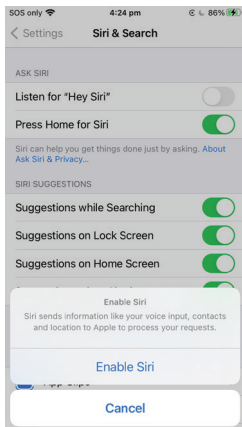
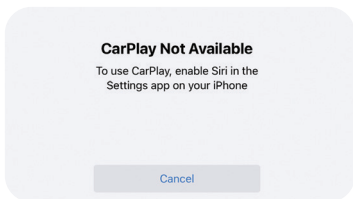


Requirements

- Lightning Data Cable
- iPhone 5 or later
- iPhone with iOS 7.1 or later
- Data Plan for in app content
- Siri activated

Phone Setup (Before you begin):

1. Apple CarPlay ® features may operate differently than on your Apple iPhone ®
2. Message and data charges may apply when using Apple CarPlay. Please check with your carrier
3. Apple CarPlay ® relies on the performance of your phone. If you experience performance issues:
 - Close all apps and then restart them again
 - Disconnect and then reconnect your phone using the Apple Lightning cable that was provided with your phone is recommended.
4. When Apple CarPlay ® is active, your voice recognition system is disabled and you will be using Siri ® to make your requests
5. On your phone, go to **Settings > General > Siri** and ensure Siri is turned ON



NOTE: For details about Apple CarPlay, refer to the manual supplied with your iPhone, or visit the website of Apple CarPlay.

USING SIRI ®



Voice button

NOTE:

Ensure Siri feature is set to ON in your phone (**Go to Settings > General > Siri**).

Apple CarPlay uses Siri to perform many actions like sending messages, placing calls, and looking up/setting POI/Destinations. A Siri session can be initiated on any screen by:

- Touching and holding the Home icon on the CarPlay screen or
- Pressing the Voice button on the panel or the Steering Wheel, then say any of the following commands:
 - **“Text <Name> Call you later”** to send a text message.
 - **“Read text messages”** to read available text message.
 - **“Call <Name>”** to make a phone call.
 - **“Find <POI/Destination>”** to locate a POI/Destination.

USING GOOGLE VOICE ®

Android Auto uses Google voice actions for many functions. A Google voice action session can be initiated on any screen by:



- Touching the **Microphone** icon on any screen.
- Pressing the **Voice Recognition** Button on panel or Steering Wheel.

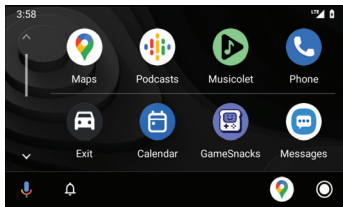


Voice button

Making a Call

Touch the Phone icon to access recent call list. Or you can initiate a voice action and then say **“Call <Name>”** or **“Dial <number>”** to make phone calls from any screen.

HOW TO USE ANDROID AUTO ®



Requirements

- USB Data Cable
- Compatible Android® phone with OS Android 6.0 or higher
- Data Plan for in app content
- Wireless Android Auto requires 5GHz(802.11/ac) Wi-Fi support (refer to page 18 of this manual)
- Android Auto App download from the Google Play® store if not on your device
- Android Auto must be available in your country or region

Phone Setup (Before you begin):

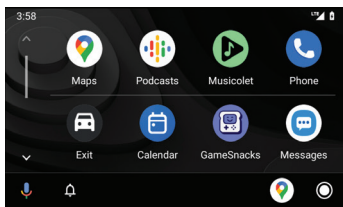
1. Android Auto ® features may operate differently than on your Android ® phone.
2. Message and data charges may apply when using Android Auto. Please check with your carrier
3. Android Auto relies on the performance of your phone. If you experience performance issues:

Close all apps and then restart them again

Disconnect and then reconnect your phone using the USB cable that was provided with your phone is recommended

When Android Auto is active, your in-vehicle voice recognition system is disabled and you will be using Google® voice actions to make your requests

Overview



- Android Auto organizes recent actions and information into simple icons on the Android Auto Home screen. Touching an actionable icon will take you to the app.

NOTE: For details about Android Auto, refer to the manual supplied with your Android phone, or visit the website of Android Auto.

SPECIFICATIONS

Display LCD	Size	9 Inch
	Resolution	1024*600
Touch Screen	Capacitive	G+G
System Specification	OS System/CPU	Linux 3.4.5 / SPHE8368U
	RAM / Flash Memory	128MB / 256MB
DIN Size	1.0 DIN	1DIN body
Power Output	Rated Power (4 Ohm @ 14.4 V, 1 kHz, THD 10%)	4CH x 25W
	MAX Power (4 Ohm)	4CH x 40W
Media Playback	MP3 / MP4 / AAC / FLAC / Xvid	Yes
Device Ports	FRONT: 5V / 2.1A	Media/Charging
	REAR: 5V / 1.5A	CP/AA/USB Media
	USB MAX Capability	FAT32_32GB
Aux Inputs / Outputs	Rear A/V Input (RCA Type - 3pcs)	Yes
	Composite Video Output	Yes
	Reverse Camera Inputs	Yes (720P AHD Compatible)
Mirror Link	CarPlay & Android Auto	Wireless and Wired
Bluetooth	Bluetooth Built-In	Yes (A2DP, AVRCP, HFP, PBAP)
	Bluetooth Version	V4.2+EDR
	Microphone	External Microphone
	ID3 Tag/Information (Artist, Album, Song)	Yes
	HFP Profile (1.2, 1.4 or HD Voice 1.6)	HFP 1.6
Tuners	AM/FM (# of Presets)	AM 12 (6X2) / FM 18 (6X3)
	FM Frequency Span (MHz)	87.5-108.0MHz (0.05MHz Step)
	AM Frequency Span (KHz)	531-1629KHz (9KHz Step)
	RDS	Yes
	FM Antenna Connector Impedance	50 Ohm
	FM Tuner Connector	Motorola
RCA Preamp Outputs	2-Pair RCA Preamp Output	Yes
	Dual Subwoofer RCA Output/Level Control	Yes
	Preamp Voltage (1.2,2,4,5,6)	4V p-p
Tone Control	8 Band	(50/200/400/800/1K/3K/7K/15K)
	Loudness	Yes
	LPF - Frequencies (Sub)	Yes
	8 Preset EQs	Yes
Other Features	Steering Wheel Control	Yes, with Aerpro SWC Adaptor
Accessories	Power Harness	Yes with ISO / 3.5mm jack
	AV-In Cable (RCA with Audio L/R, Video In)	Yes
	Reverse Camera Input	Yes
	4.2CH Audio Out Cable	Yes
	External Microphone	Included

My Android phone will not connect wirelessly to the head unit

- Your mobile phone must be a compatible Android phone with an active data plan, 5 GHz Wi-Fi support (802.11/ac), and the latest version of the Android Auto app.
- Compatible Android phones include:
 - Any phone with Android 11.0 or above
 - A Google or Samsung phone with Android 10.0 or above
 - A Samsung Galaxy S8, Galaxy S8+, or Note 8, with Android 9.0 or above
- If your phone does not meet the compatible Android phone list but has 5 GHz Wi-Fi support, you can follow these steps. (Note: We cannot guarantee this will provide a reliable Wireless Android Auto experience and is used as a work around for older phones)
 - Go to the settings of the Android Auto app
 - Scroll down to the bottom where it states version number
 - Tap this several times until a pop up message appears asking to enable Developer options. Accept this message
 - Tap on the 3 dots in the top right corner and choose Developer Settings
 - Scroll down until you can find 'Add wireless projection to settings' and enable this. (Make sure that it is also ticked in the settings of Android Auto under 'Wireless projection' section.)
 - Try the connection process again

My Mobile phone will not connect to the head unit

- If you are having trouble connecting your phone to the head unit, try restarting your phone and try again.
- It is also recommended to do a factory reset on the head unit as this will solve most of the connection issues between your phone and your head unit.
- If you are having issues with connecting Android Auto or Apple CarPlay over a USB connection, try using another high quality/shorter length cable. Using low quality cables and longer lengths may cause issues such as drop outs and or connection issues.
- Make sure your phone is up to date with the latest software updates.

Do I have to connect the GPS module for Android Auto/Apple CarPlay to work?

- It is highly recommended to connect the GPS module to the head unit and place it where it has a clear line of sight to the sky as it will assist the GPS tracking for maps when using Android Auto or Apple CarPlay.
- If you do not use the GPS module then the GPS tracking will rely purely on your phone's tracking performance which may be spotty depending on the location of the phone in the vehicle.

FAQ/TROUBLESHOOTING

Android Auto/Apple CarPlay won't work unless Park Brake is active but the kit didn't have a Park Brake connection.

- If the harness that came with your kit didn't have a park brake connector then you must manually make a connection between your hand brake and the harness on the headunit for these functions to work.

SAFETY INFORMATION & WARNINGS

Do not try opening the shell or try to repair the product by yourself.

If the product or it's accessories have any problems and is still under warranty, then take it back to the place of purchase with the original purchase receipt.

If out of warranty then contact the authorised repair agent, Aerpro Support.

Do not use a chemical substance, cleaning solvent or cleaner to clean the product, please use a moist soft cloth if you would like to clean the product.

Do not use the product under conditions where dust is present.

Please pay attention to cleaning the display surface, use a moist soft cloth to clean the display.

TECHNICAL ASSISTANCE

Please retain this user guide for future reference.

If you would like to download a digital copy of this manual, or other Aerpro manuals/software, please visit the Aerpro.com website and search for information on your model.

This quick start guide is considered correct at time of printing but is subject to change.

For latest quick start guide, manuals, videos and updates refer to the website.

Copyright © 2022 by TDJ Australia

All rights reserved. No part of this publication may be reproduced, distributed, or transmitted in any form or by any means, including photocopying, recording, copying or other electronic or mechanical methods, without the prior written permission of the author.

TEL: 03 – 8587 8898 FAX: 03 – 8587 8866

Mon-Fri 9am – 5pm AEST

aerpro.com



