



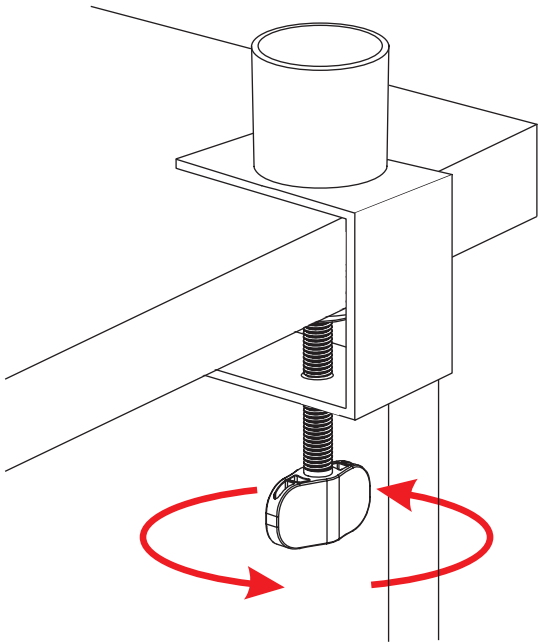
APMICARM

PROFESSIONAL FOLDABLE MICROPHONE ARM

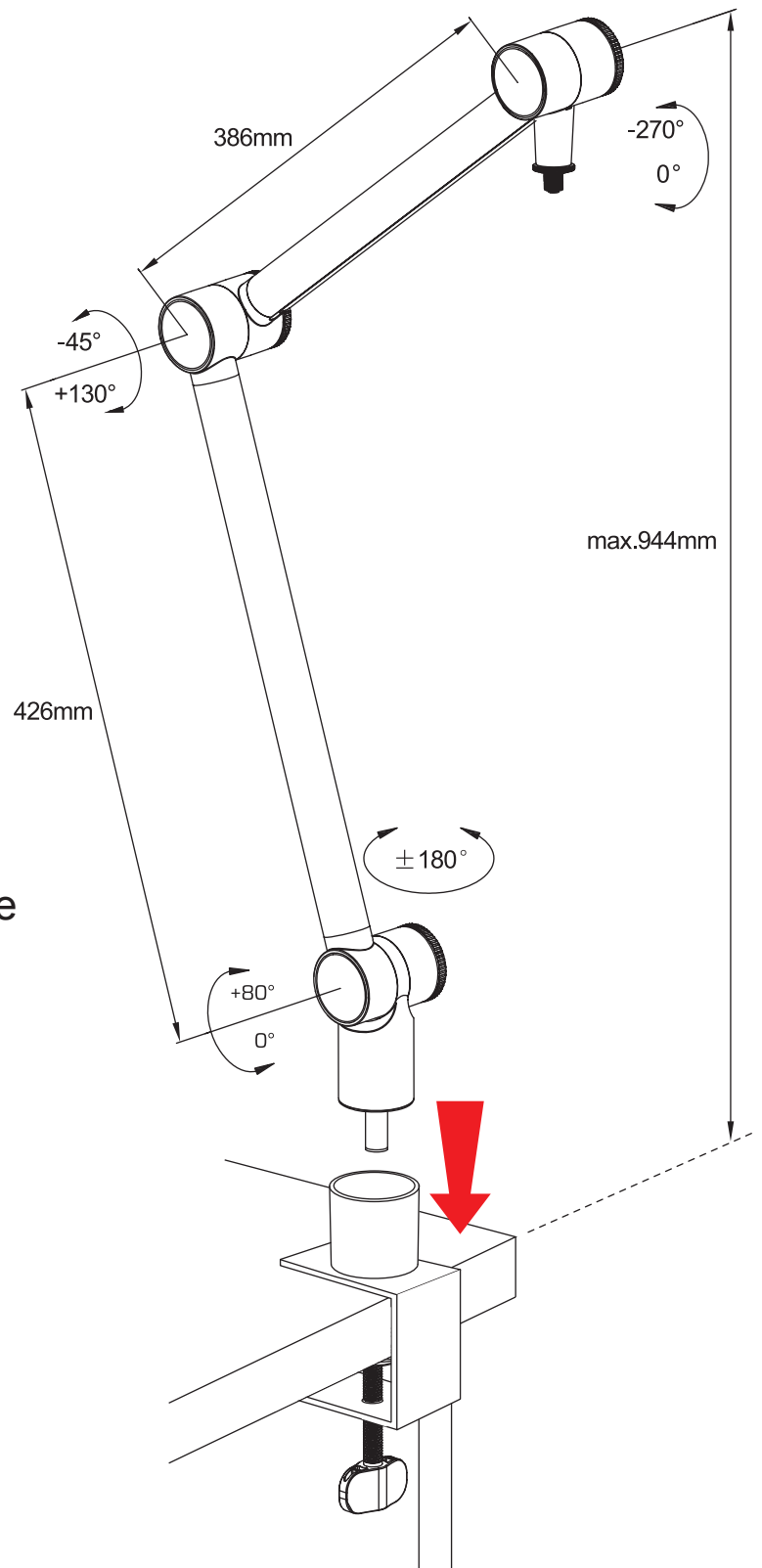
USER MANUAL

Mounting

1. Attach the clamp base to a desk. Adjustable thickness from 15-60mm. Tighten clamp to secure.

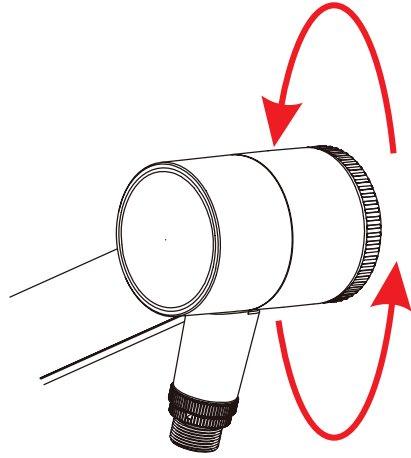


2. Insert the micarm into the secured base.

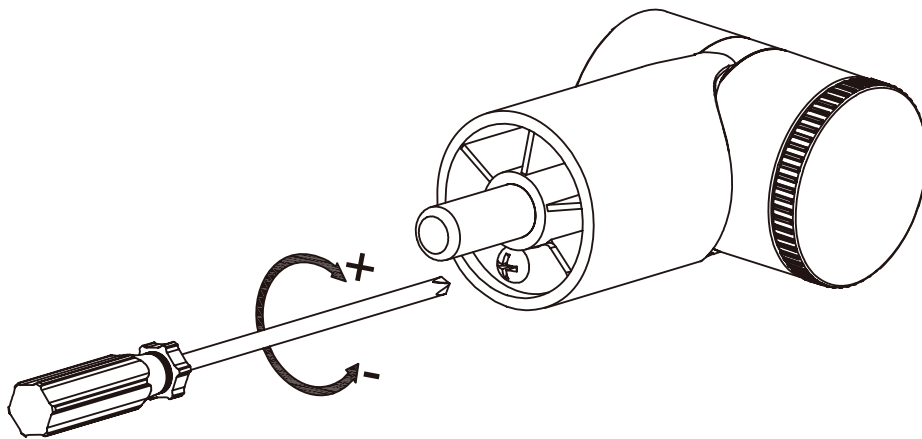


Adjustment

3. Adjust the arm angles according to your needs by moving the arm and tightening the three joints by rotating the turning wheel to lock position.



4. You can adjust the tension due to the weight of the microphone by tightening the adjustment screw near the base as pictured below. Tension is preset at about 50% and the load is about 0.8-1.0kg. If adjusted to the tightest state the maximum load is 1.5kg.



Please retain this user guide for future reference.

If you would like to download a digital copy of this manual, or other Aerpro manuals/software, please visit the Aerpro.com website and search for information on your model.

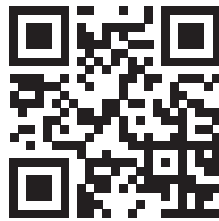
This manual is considered correct at time of printing but is subject to change. For the latest manual, videos and updates refer to the website.

Copyright © 2024 by TDJ Australia

All rights reserved. No part of this publication may be reproduced, distributed, or transmitted in any form or by any means, including photocopying, recording, copying or other electronic or mechanical methods, without the prior written permission of the author.

TEL: 03 – 8587 8898 FAX: 03 – 8587 8866

Mon-Fri 9am – 5pm AEST



Scan here for
product information
and user manual.

aerpro.com