

Installation Manual
Double DIN Kit -
FP8224

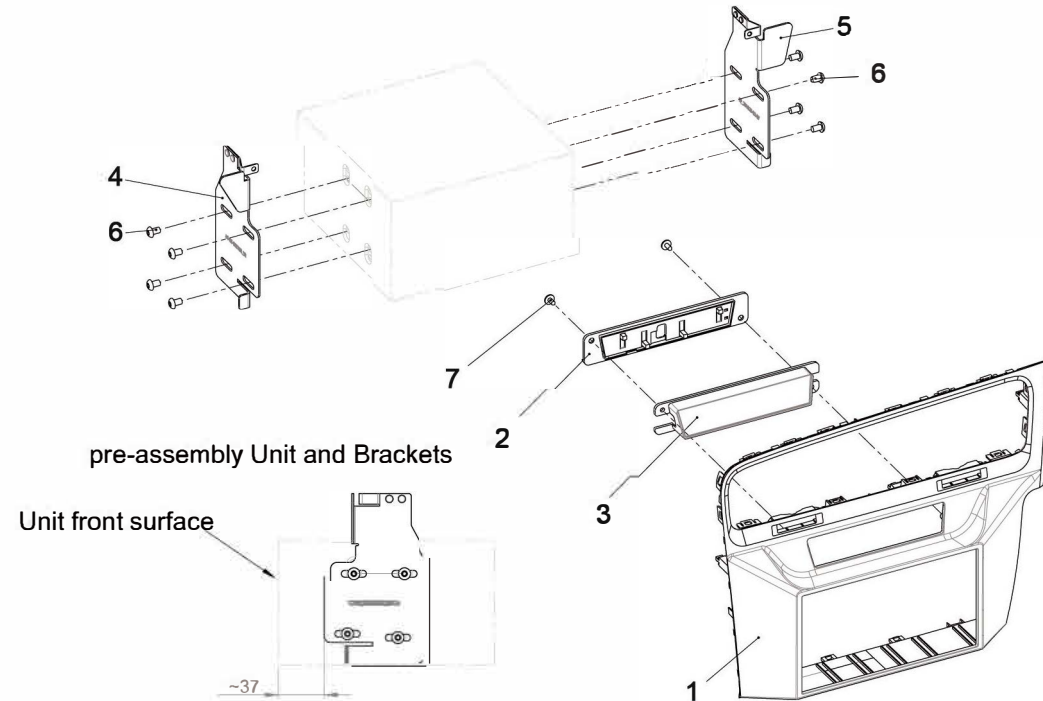


powered by



Compatible with these Double-DIN devices:

Double-DIN Navigation



Double DIN Set contents

- (1) Facia Plate
- (2) Cover
- (3) Housing
- (4) Mounting Bracket Right
- (5) Mounting Bracket Left
- (6) Flat Headed Screw
- (7) Self Tapping Screw with Collar

NOTE: ALTHOUGH IMAGES SHOW DISASSEMBLY AND FITTING TO A LHD CAR, THE PROCESS AND POSITION OF CLIPS AND SCREWS ARE BROADLY SIMILAR FOR THE RHD PART



Unclip and remove panel
under OEM head unit

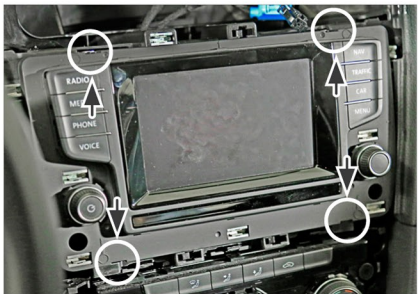


Unclip OEM head unit panel



Unclip air vents (specail VW tool
may be required)

Remove OEM head unit panel
by pulling it toward your direction

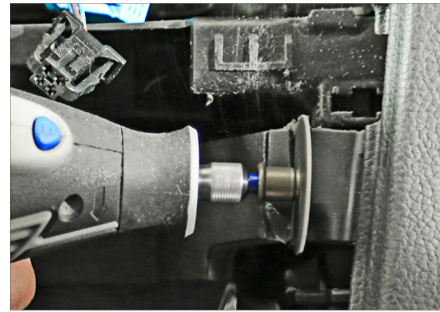


Insert radio release keys
Remove OEM head unit



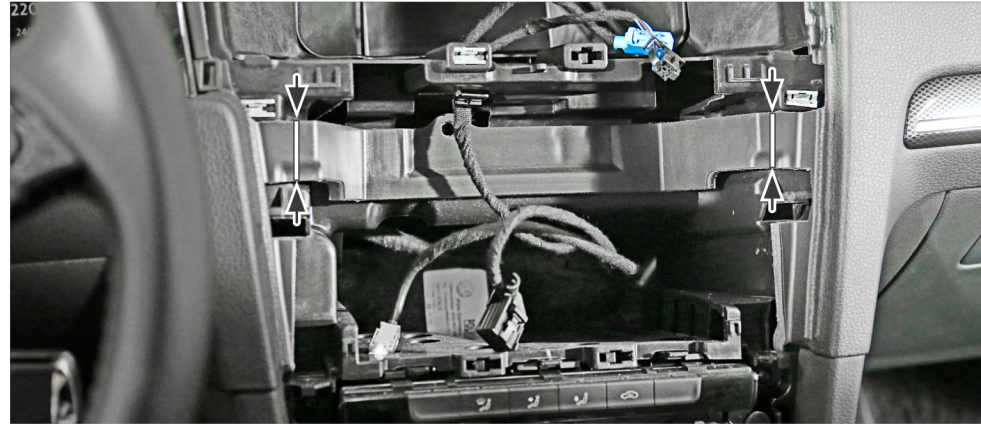
Notes:

Notes:

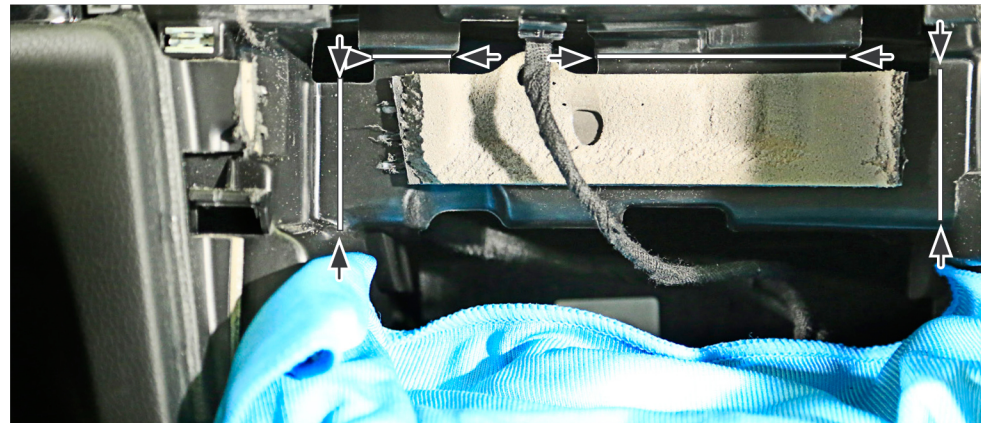


Several plastic parts must be cut and removed in order to clear space for 2-DIN head unit

Cut plastic (see arrows) and remove it



Cut plastic bridge underneath removed plastic (see arrows)



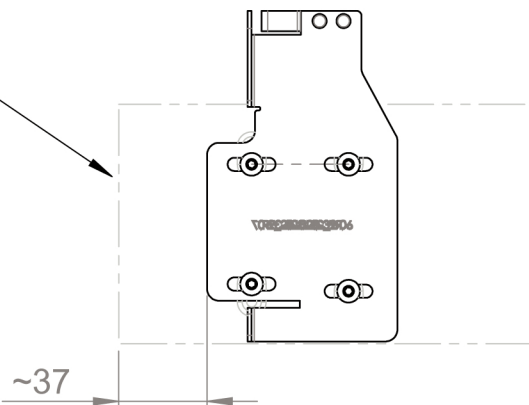
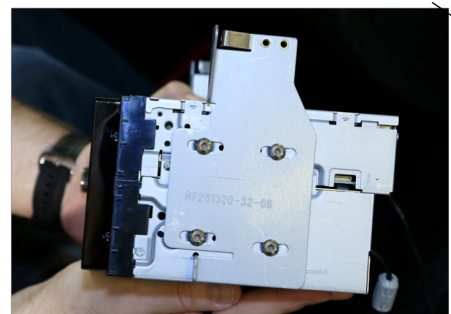


Dashboard after plastic has been cut away

Mount mounting brackets to double DIN head unit

pre-assembly Unit and Brackets

Unit front surface



Remove air vent unit from OEM panel

Mount air vent unit to double DIN head unit

Connect all required circuit points. Mount double DIN head unit to dashboard. Place facia plate. Reinstall everything in reverse order to finish installation

