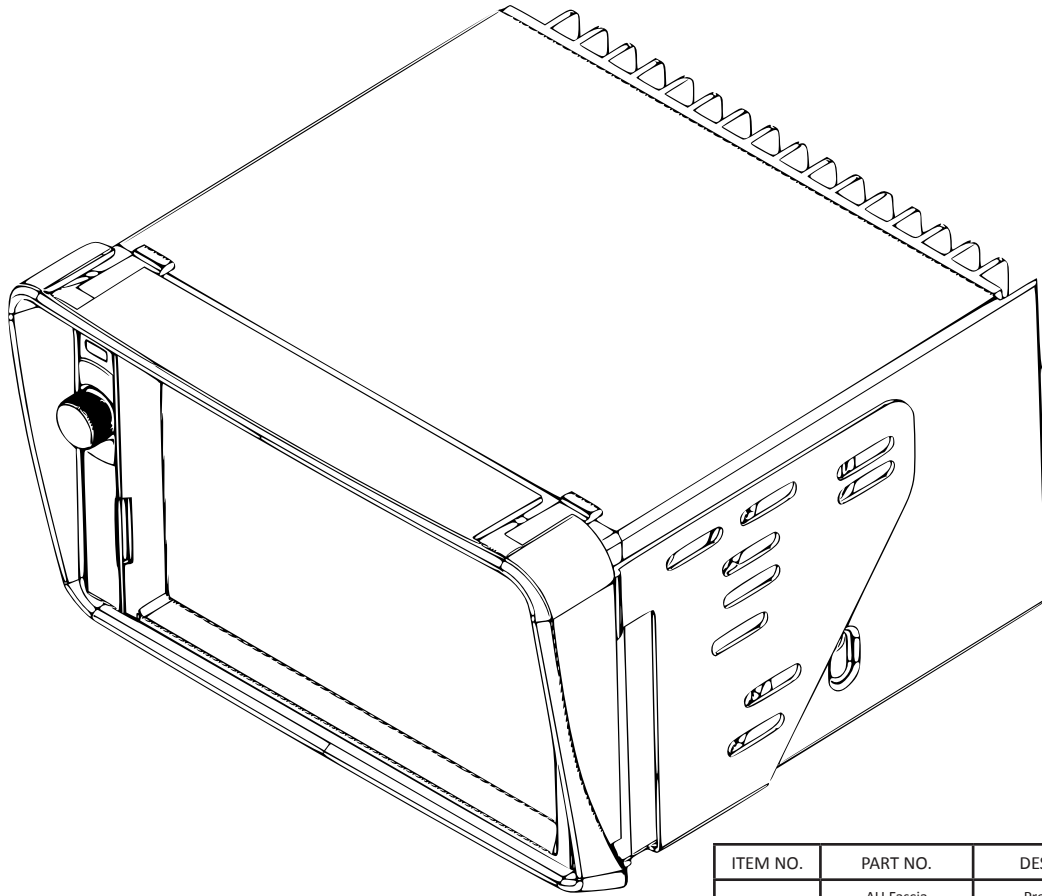
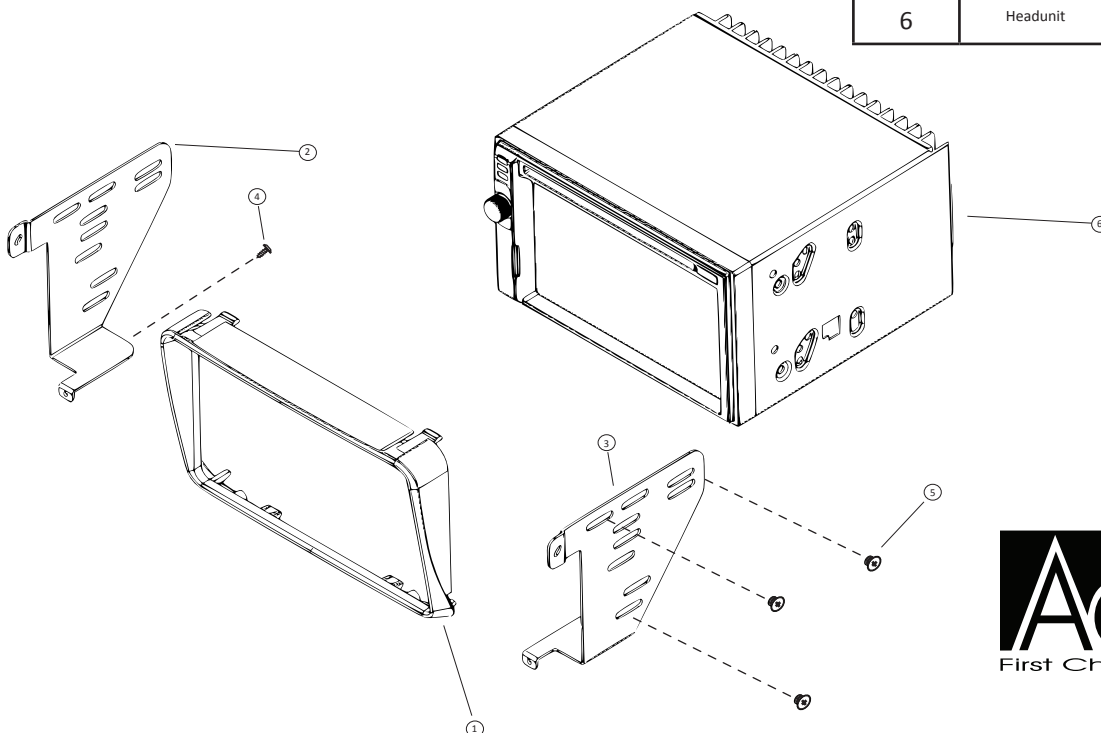


FORD FALCON AU

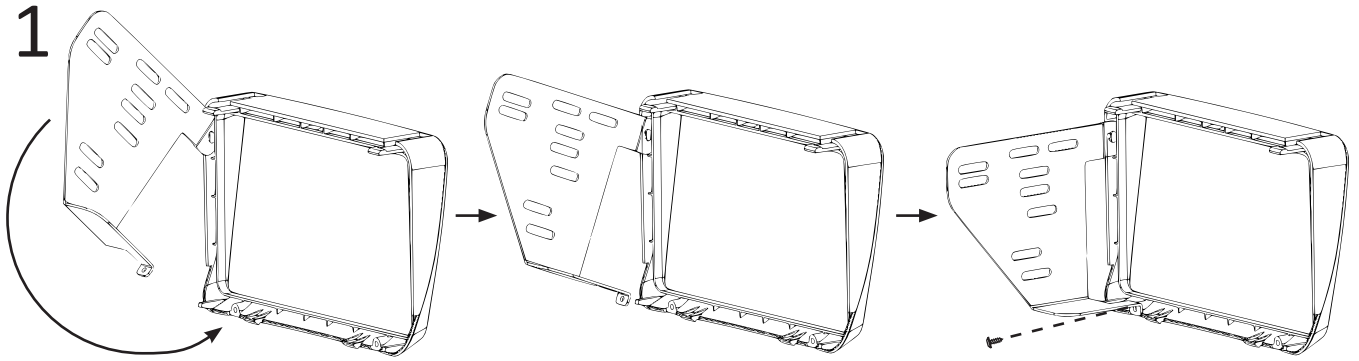
Double DIN Fascia



ITEM NO.	PART NO.	DESCRIPTION	QTY
1	AU Fascia	Provided in kit	1
2	RIGHT Bracket	Provided in kit	1
3	LEFT Bracket	Provided in kit	1
4	Fascia Screws	Provided in kit	2
5	Headunit Screws	Provided with headunit	4
6	Headunit	Customer Supplied	1

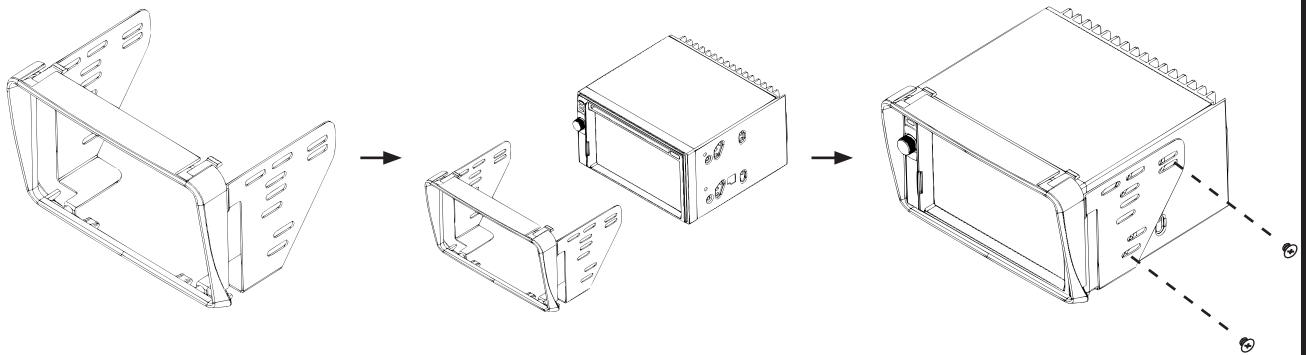


1



Screw bracket to fascia and repeat on other side

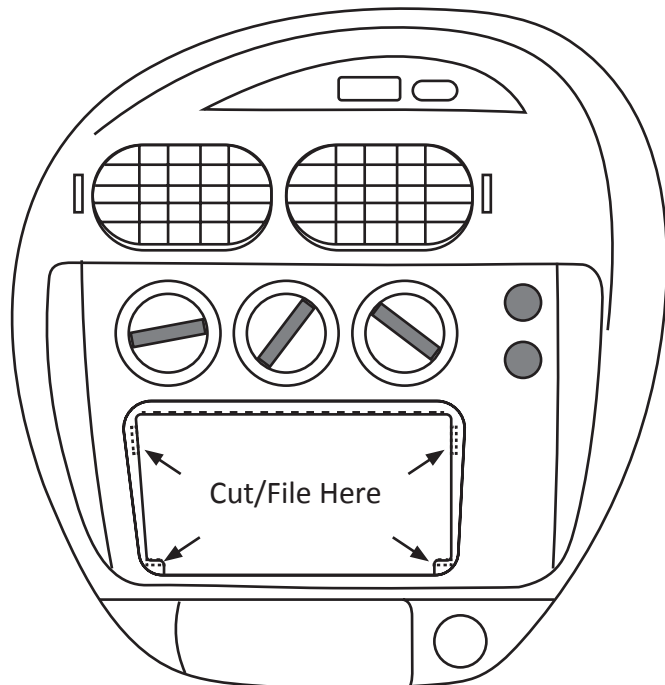
2



Slide headunit into fascia and secure with headunit screws provided with your headunit

4

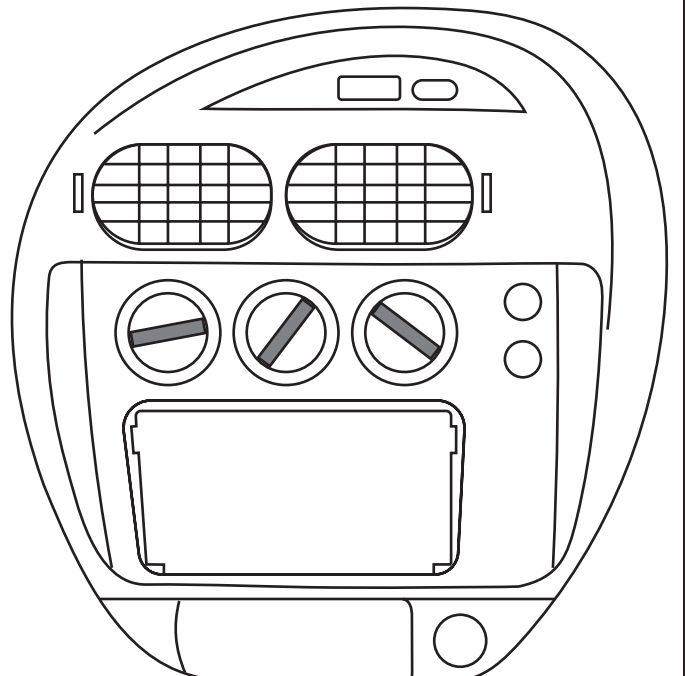
To install the completed assembly into the vehicle, the inner dash cavity will need to be trimmed/filed back to allow clearance for the brackets. Shown in the areas below.



BEFORE

5

Once the cavity is trimmed/filed down and ready to have headunit mounted.



AFTER

6

Connect all cables and harnesses and push full assembly into the dash, ensuring all clips have locked into place.

NOTE The bottom clips on the fascia can sometimes flex the dash when pushing the assembly in, as the bottom of the dash is not supported from the rear and can easily break.

Please use a panel remover to guide the clips over the bottom lip to avoid breaking any panels.

Aerpro[®]
First Choice

FP9240

FP9241