



**INSTALL KIT
USER/INSTALLATION
MANUAL**

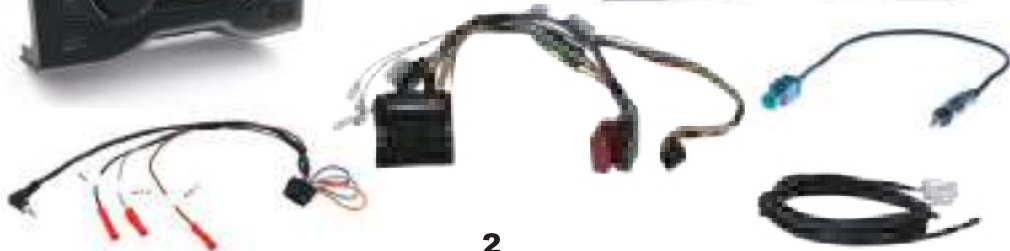
Product overview

The Aerpro FP9350 VE Facia Installation Kit is Australian designed and engineered and has been made for fitting a double DIN aftermarket radio, CD or DVD player to the original double DIN enclosure. It suits VE series 1 single climate models by upgrading heater valve heating & cooling to full digital climate control. Compatible models for this kit are the Omega, V, Lumina, International, SV6, SS and 60th Anniversary edition. See pictures below as examples.

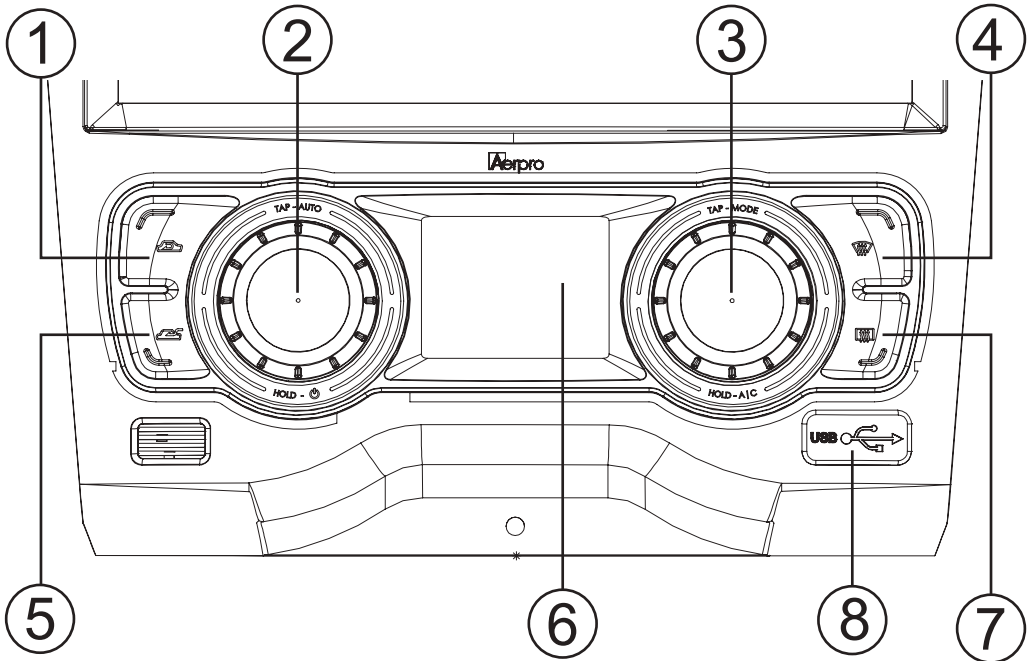


Inclusions

- 1x ABS Plastic facia
- 1x H-VAC controller with built in steering wheel control module
- 1x Universal patch lead
- 1x Antenna adapter
- 1x Mounting kit
- 1x Remote temperature sensor

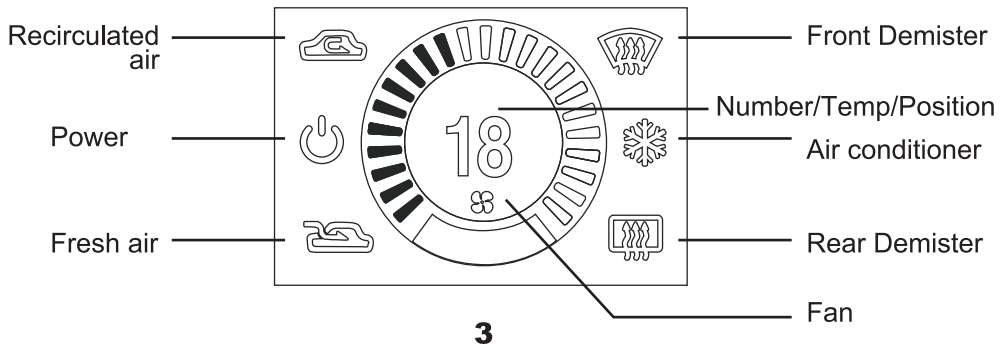


Product structure



- | | |
|---|-----------------------------------|
| 1. Recirculated air button | 5. Fresh air button |
| 2. Left rotary dial button (Rotate, Tap, Hold) | 6. LCD display information screen |
| 3. Right rotary dial button (Rotate, Tap, Hold) | 7. Rear demister button |
| 4. Front demister button | 8. USB charging port |

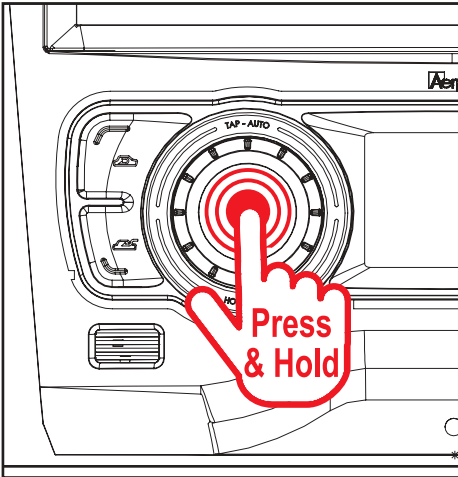
Screen display



Functions

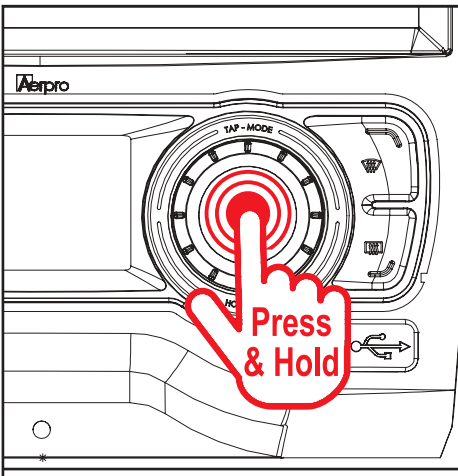
Powering up

Turn your vehicles ignition ON. To turn the system on press and hold the left rotary dial button. The LCD screen illuminates and the power icon will flash for 3 seconds then illuminates.



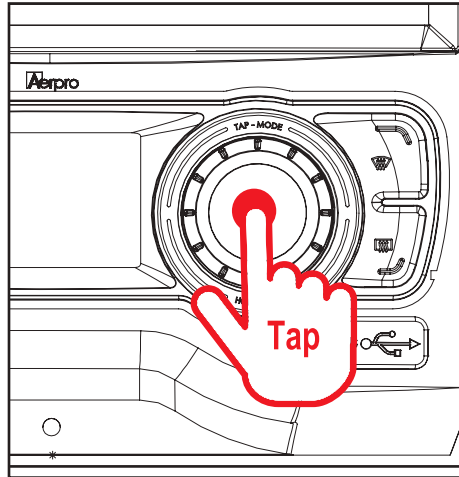
Turning air-conditioning ON/OFF

Once powered up, press and hold the right rotary dial button to turn the air-conditioner on. The LCD screen illuminates and air-conditioner icon (Snowflake) illuminates. Press and hold again to turn off. When turning on the air-conditioner the system will remember previous user settings.



Positioning

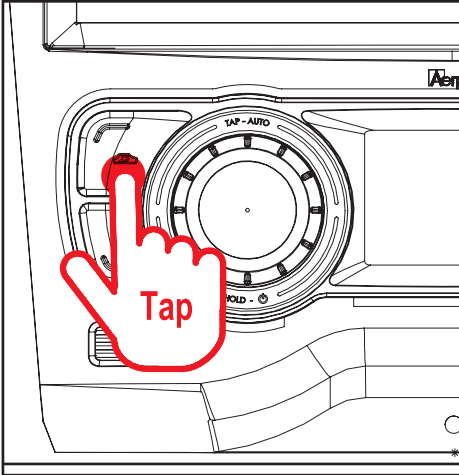
To select different air positions in the vehicle tap the right rotary button. Positions are for the Head/Feet, Chest, Chest/Feet and Feet (See icons below).



Zone settings

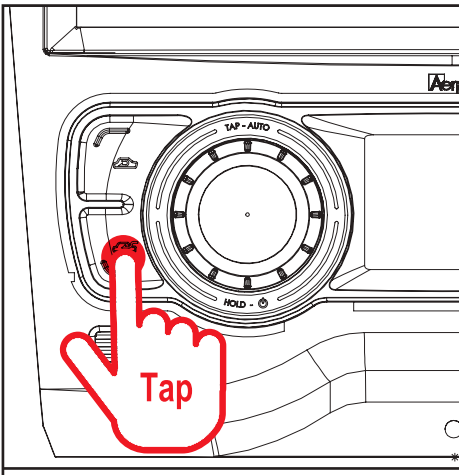
Recirculation button

Tap the recirculation button and the recirculation icon will illuminate.



Fresh air button

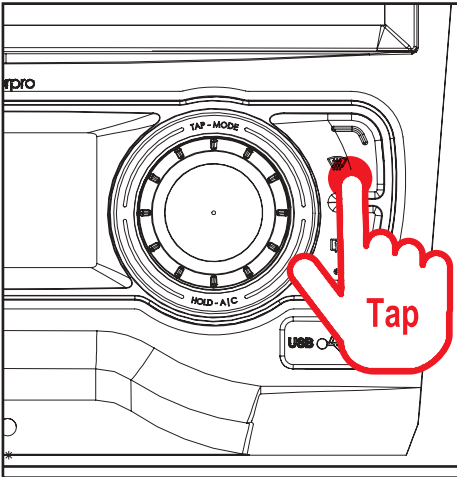
Tap the fresh air button and the fresh air icon will illuminate.



Zone settings

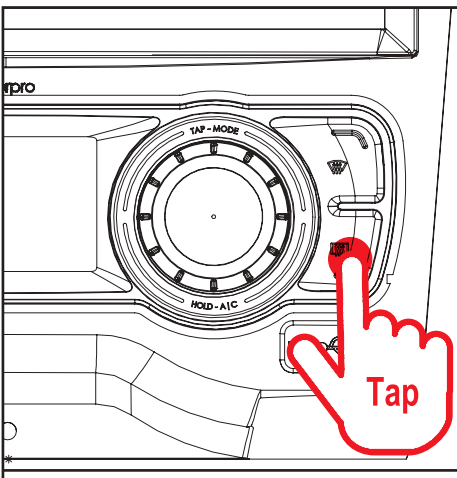
Front demister button

Tap the front demister button and the front demister icon will illuminate. The air-conditioner will automatically turn on to aid demisting. The air-conditioner icon will also illuminate.



Rear demister button

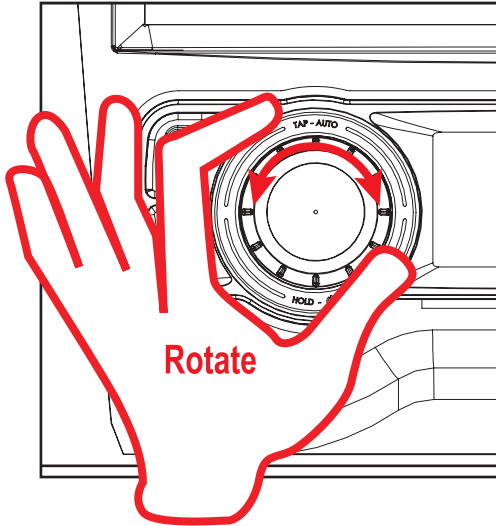
Tap the rear demister button and the rear demister icon will illuminate.



Rotary dial functions

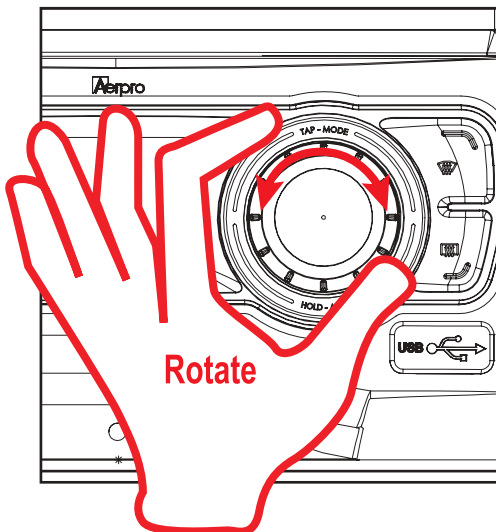
Fan speed

Turn the left rotary dial to the right and left to increase and decrease the fan speed. This is represented by the illuminated blue bars.



Air-conditioner temperature

Turn the right rotary dial to the left and right to lower and/or rise the air-conditioner temperature. This is a numeric value of 15 the lowest to 29 the highest. Turning the dial too fast may result in the command signal not registering.

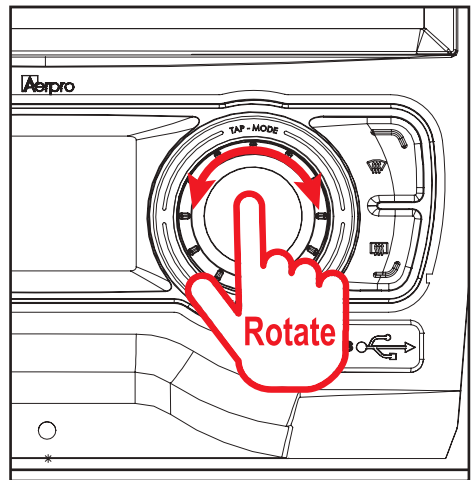
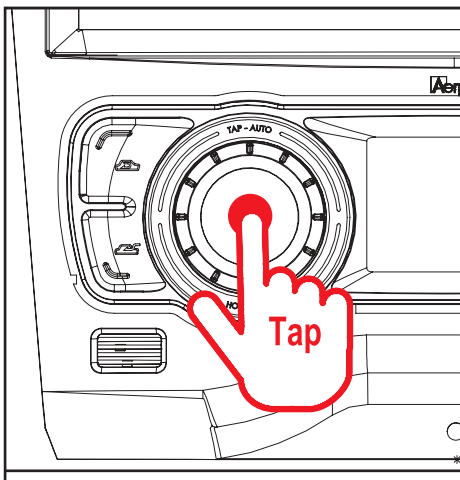


Functions

Automatic climate control

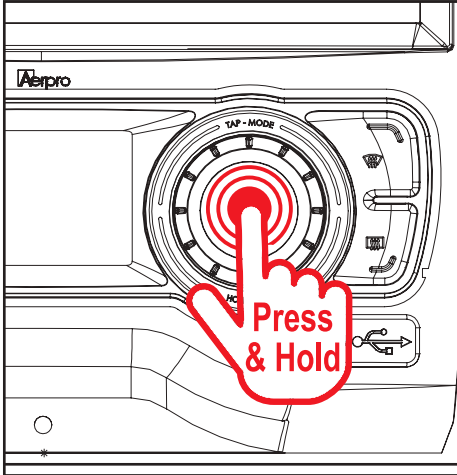
To activate auto climate mode, tap the left hand rotary dial and then set the target temperature by rotating the right hand rotary dial to the desired level. The fan speed, the vent temperature and the air flow direction is fully automatic and will adjust itself based on what it needs to get to the required level.

NOTE: If you change the vent mode (air flow direction) or fan speed during auto climate operation the system will exit climate mode. When in climate mode the words Auto Climate at the bottom of the screen is illuminated and the temperature display has a degree (°) sign next to the numeric value.



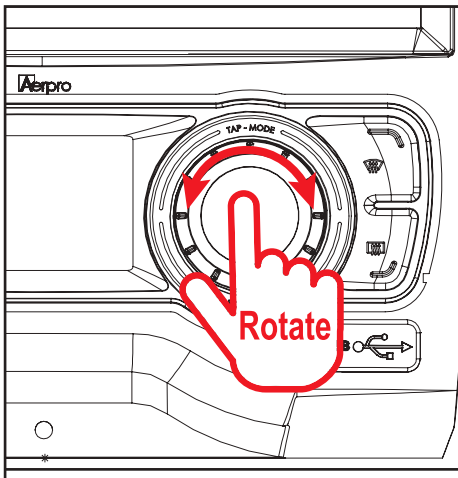
Settings for clock/date

Changing the time /date of the vehicles existing clock display



1. Make sure the unit is turned off.
2. Press and hold the right rotary button for 5 seconds to enter the settings for the vehicles existing clock & date.

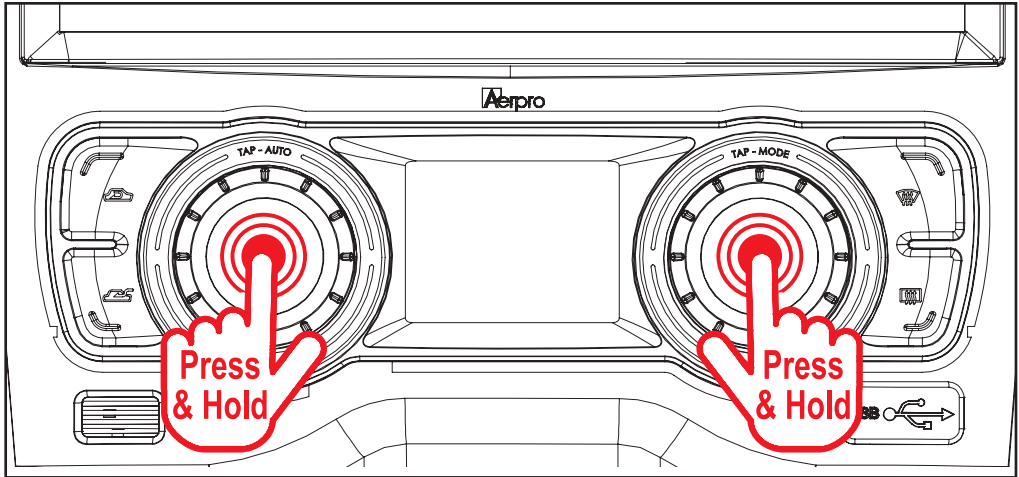
The existing display in the vehicle will highlight & flash for each value.



3. Turn the right rotary button to the left or right to change each value.
4. Press & hold the right rotary button to apply the value and progress through each setting.
5. Continue through each setting to exit.

Resetting the system

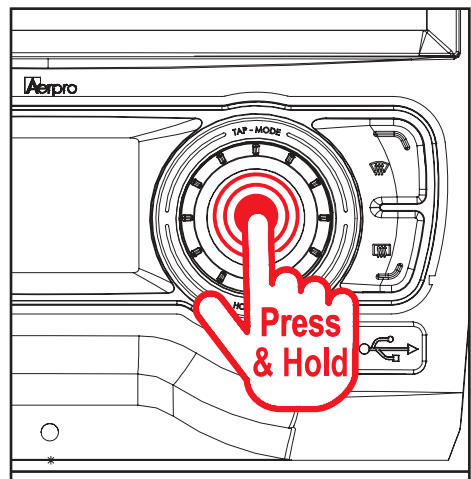
In the case of the system locking up or not functioning correctly, the unit can be reset to factory settings.



Press & hold both left & right rotary knobs at the same time.

Optional VSS (Speedpulse) configuration

The green/white trace wire labelled “parkbrake”, can be reconfigured to work as a VSS (Speedpulse) wire. Press & hold the right dial button for 6 seconds. After 1 second you will hear a (Click sound) indicating the air-con switching, KEEP HOLDING the button until you hear another (Click sound). The wire will now output VSS. To revert back to “parkbrake” mode, press & hold the right dial button for 6 seconds. After the first click indicating the air-con switching you will hear a (Ding sound). The wire is now in “parkbrake mode.



After 6 seconds

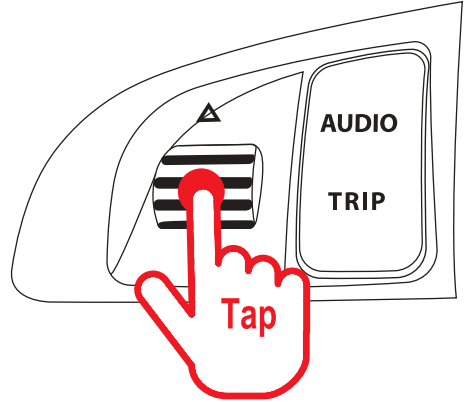
Click sound = VSS (Speedpulse)

Ding sound = Parkbrake mode

HVAC Adjustment Using Steering Wheel Controls

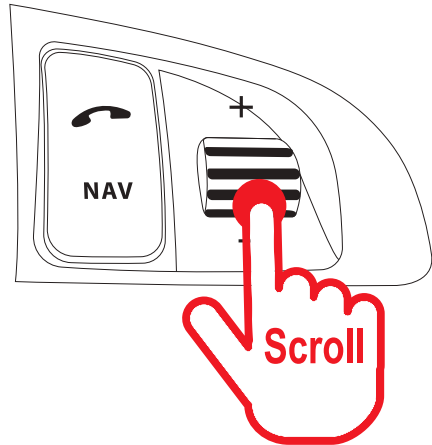
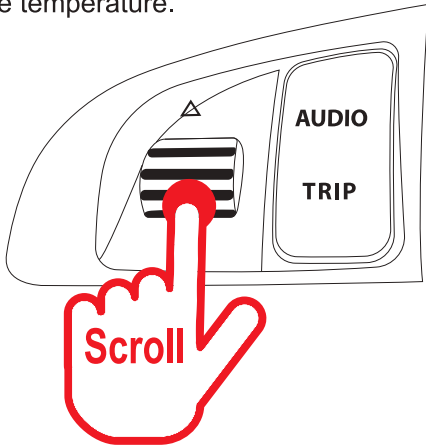
Steering Wheel Control (SWC)

The climate controls can also be controlled via the steering wheel controls. To activate the steering wheel mode tap the LEFT scroll button (1 Click sound).



left & Right Controls

The Left scroll wheel controls the fan speed and the Right scroll wheel controls the temperature.



Turning off Steering Wheel Controls

After '5' seconds of inactivity. The steering wheel controls will revert back to the aftermarket stereo and functionality will continue as normal

If no Headunit patch lead is present. The SWC will default to climate controls

INSTALLATION



AFTER

BEFORE

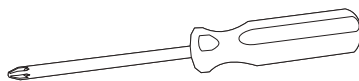
Tools Needed

Use the following tools to make dismantling the car and the installation of the new facia easier

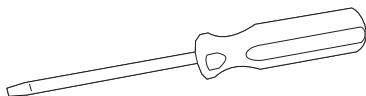
1. Panel Remover



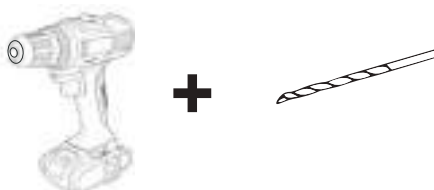
2. Phillips Head Screwdriver



3. Flat Head Screwdriver



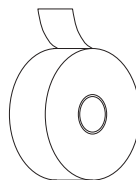
4. Cordless Drill with 3/8" Drill Bit



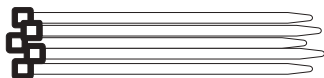
5. Small Pick



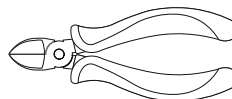
6. Electrical Tape



7. Cable Ties



8. Side Cutters



Dash Disassembly

Remove left side dash trim

Insert a panel remover and lever towards you



Remove left side dash trim

Place trim aside safely until trim reassembly



Dash Disassembly

Remove boot button trim

Insert a panel remover or pick and unclip the boot button trim



Remove boot button trim

Place trim aside safely until trim reassembly



Dash Disassembly

Remove left side screw cover trim

Insert a panel remover or pick and unclip the left side screw cover



Remove left side screw cover trim

Place trim aside safely until trim reassembly



Functions and settings

Remove left side dash end trim

Insert a panel remover and lever outwards to remove trim



Remove left side dash end trim

Place trim aside safely until trim reassembly



Dash Disassembly

Remove left side lower dash trim

Insert a panel remover and lever the trim downwards to release



Remove left side lower dash trim

Place trim aside safely until trim reassembly



Dash Disassembly

Remove glove box

There are 2x screws to remove at the base of the glove box as indicated



Remove glove box

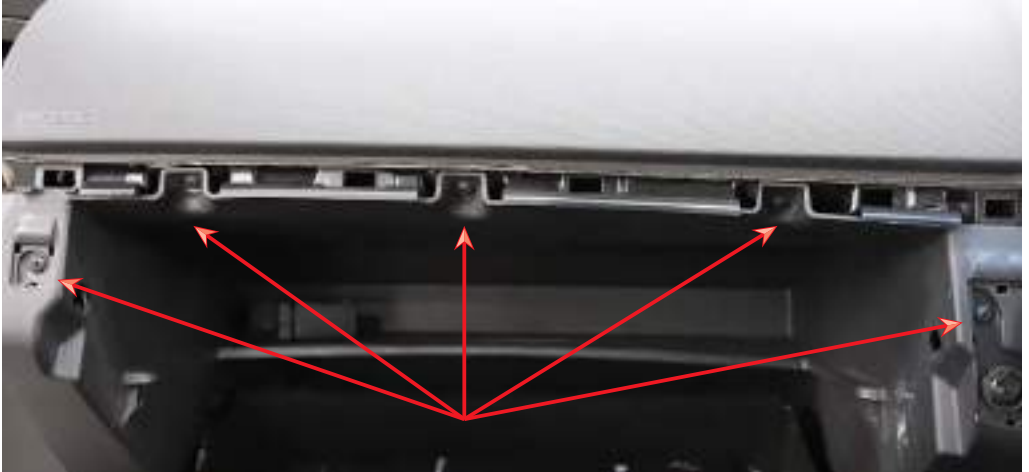
Using a Phillips head No.2 screwdriver to remove the indicated screws as shown on the next page



Dash Disassembly

Remove glove box

There are 5x screws along the top and sides to remove as indicated



Remove glove box

Once the screws are removed, hold up the glove box as it will fall out easily



Dash Disassembly

Remove glove box

While holding the glove box up, un-plug the glove box as shown



Remove glove box

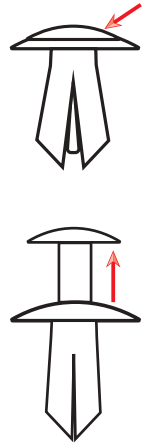
Disconnecting this connector will allow you to remove the glove box from the car



Functions and settings

Remove left side center console trim

Insert a panel remover under the center pin of the trim clip and lever it up to release, then remove the clip



Remove left side centre console trim

Once the clip is removed, unclip the side trim starting at the left side



Dash Disassembly

Disconnect antenna connection

With the side trim removed, you now have space to remove the side antenna connection and run desired cables to the back of the stereo



Disconnect antenna connection

Push the top clip down on the connector to disconnect the antenna and slow the factory radio to slide out when necessary



Dash Disassembly

Remove right side dash trim

Insert a panel remover and lever towards you



Remove right side dash trim

Place trim aside safely until trim reassembly



Dash Disassembly

Remove right side dash end trim

Insert a panel remover and lever outwards to remove trim



Remove right side dash end trim

Place trim aside safely until trim reassembly



Dash Disassembly

Remove under steering wheel cover

Insert a panel remover and lever downwards to remove trim remembering to do the same thing on the left side of the steering wheel as well



Remove under steering wheel cover

while unclipping, be sure to hold up the panel and not let it drop to protect the headlight switch connection



Dash Disassembly

Remove under steering wheel cover

remove the connector plugged into the headlight switch and put the trim aside safely for reassembly



Remove right side centre console trim

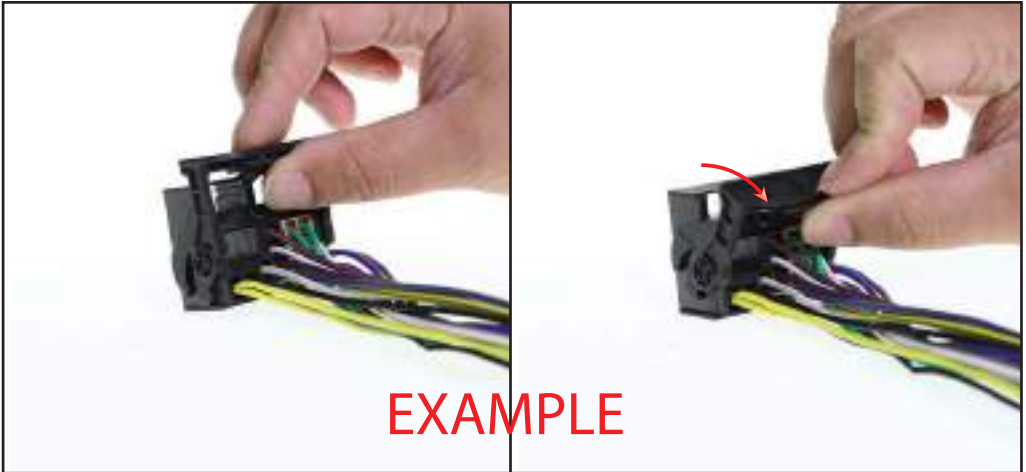
Using the same method as the left side to remove the trim and expose the radio harness. Refer to Page 2-10 for trim removal



Dash Disassembly

Unplug the radio connector

To remove the connector, pinch the top clip and pull the handle backwards to release the connector. *NOTE* Remove CD's before unplugging stereo



Unplug the radio connector

Once the connector has been unplugged, the radio is free to be removed



Dash Disassembly

Remove the factory radio face panel

The factory face panel is held on with 4x clips. Start by unclipping the bottom using your hands or panel remover. Take care when unclipping to not damage the face



Remove the factory radio face panel

You will feel the face panel come loose when the clips have released



Dash Disassembly

Remove the factory radio face panel

You may have to pivot the face panel back and forth to release the top clips, or use a panel remover to try release the top clips



Remove the factory radio face panel

There are no cables to disconnect, so you are free remove the factory face panel



Dash Disassembly

Remove the factory radio

There are 4x screws to remove as indicated below



Remove the factory radio

Use and phillips head no.2 screwdriver to remove the screws



Facia Kit Installation

Installing the new facia kit

Now that the factory radio has been removed, you are free to begin installing the new radio



Remove 2x mounting screws

On the inside of the cavity there is a screw on the right side in a recess. Remove the screw using your screwdriver



Facia Kit Installation

Remove 2x mounting screws

There is also a screw on the opposite left side, remove this screw as well and keep the screws handy for re-installation



Installing the temperature sensor

To install the temp sensor, you will need cable ties



Facia Kit Installation

Installing the temperature sensor

Above the heater box is a grill for the air passthrough, you will need to install the temp sensor above this grill



Installing the temperature sensor

Using your hand, feel up above the heater box to find the grill and cable tie the sensor to the top of it as shown in the following image



Facia Kit Installation

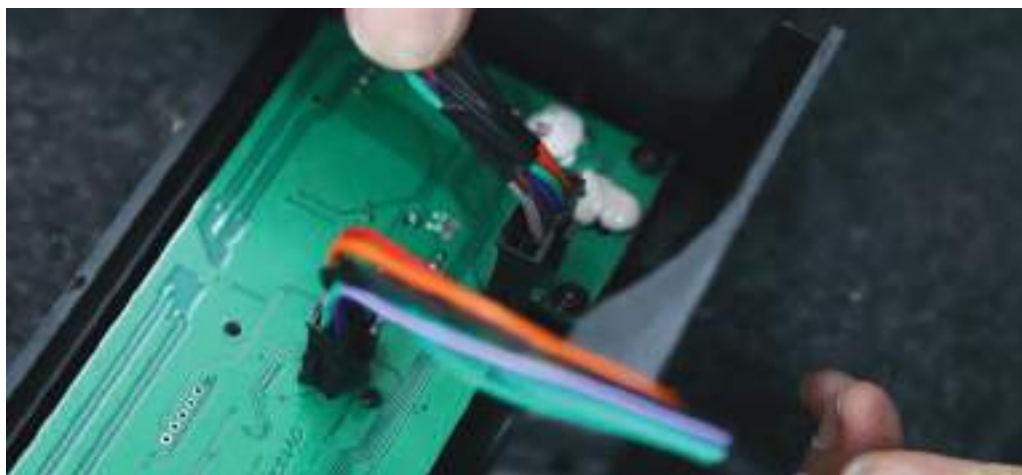
Installing the temperature sensor

Run the sensor above the grill and cable tie into place, ensuring the sensor does not fall into the grill where there are moving parts



Preparing the new facia kit

To mount the facia kit, plug the main power harness for the facia in



Facia Kit Installation

Preparing the new facia kit

If your aftermarket stereo is equipped with a steering wheel remote input, plug the steering wheel patch lead in the fascia as well



Preparing the new facia kit

Once the connectors are plugged in, ensure the steering wheel control patch lead is configured for your aftermarket stereo. (See page 2-35 for diagram)



Facia Kit Installation

Mounting the new facia

Run the aftermarket wiring harness through the hole to the right where the factory connector is located



Mounting the new facia

Run the temp sensor neatly to behind the radio and plug it into the facia



Facia Kit Installation

Mounting the new facia

Connect the supplied antenna adapter to the factory antenna connector



Mounting the new facia

Push the facia into the dash cavity so the locator's left and right clip into place



Facia Kit Installation

Mounting the new facia

Ensure the facia is sitting correctly so the holes on the facia line up with the vehicle mounting holes



Mounting the new facia

Using the screws which were removed on pages 20/21 mount the facia to the mounting points in the dash cavity



Facia Kit Installation

Mounting the new facia

Using the screws which were removed on pages 20/21 mount the facia to the mounting points in the dash cavity



Mounting the new facia

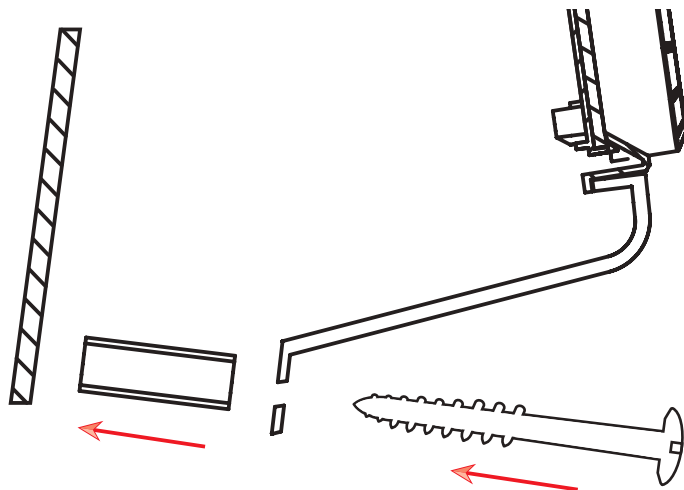
For extra security, there is a 3rd mounting point at the base of the facia, using a drill, pre-drill a hole in the dash so a screw can be inserted



Facia Kit Installation

Mounting the new facia

For dashes with the black radio face panel, there is a supplied cylinder spacer to avoid damaging the connectors at the rear of the facia when putting the screw in



Mounting the new facia

Use a 30mm screw to secure the bottom of the facia

Note Vehicles with Silver face panel do not require spacer and uses 15mm screw



Facia Kit Installation

Installing the mounting cage

When inserting the mounting cage, run all cables out of the front to make connecting the aftermarket stereo easier



Installing the mounting cage

Use a flat head screwdriver to bend the tabs on the inside of the cage and secure the cage to the facia



Facia Kit Installation

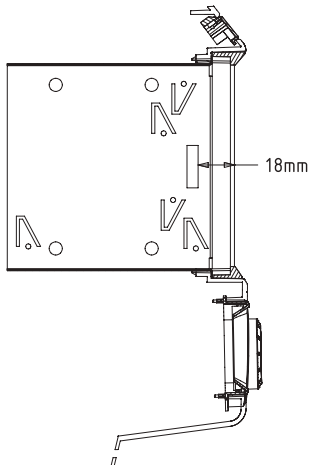
Installing the mounting cage

When the cage is mounted to the facia, ensure all cables are run out of the front to make connecting the aftermarket easier. Taping the cables together can help



Mounting the brackets to the aftermarket stereo

The mounting brackets have spring locators that lock into cut outs in the cage. Knowing that the cage cut outs are 18mm back from the edge of the facia trim will help you determine where to mount the brackets



Facia Kit Installation

Mounting the brackets to the aftermarket stereo

Align the bracket on the stereo and then set the depth using the slider clip depending on how you want the stereo to look in the facia



Testing the system before completing installation

Once the brackets are mounted, slide the unit into the cage, but not the whole way. Connect the quadlock connectors together and turn the key to 'Ignition'



Facia Kit Installation

Completing installation

Once fully powered, check the functionality of the stereo and the facia kit. If all is functioning how it should, you are free to complete the installation



Completing installation

Turn off the car and push the stereo into the cage until it clicks into place



Facia Kit Installation

Completing installation

Click in the facia trim around the face of the aftermarket stereo



Completing installation

Re-assemble the dash in the reverse order to the disassembly to finish the installation

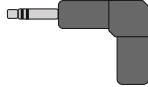


Installer Notes

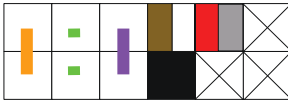
SWC Patch Harness Configuration

For best results or to reset the control module with a new brand, please make modifications to the patch lead first, before connecting to the steering wheel control module and before powering the module up.

Use 3.5mm Jack for these Head units



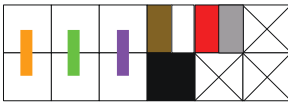
ALPINE
Cut Green Link



CLARION
Cut Purple Link



PIONEER
No cutting required



SONY
No cutting required



Use Key 1 Bullet terminal for these Head units



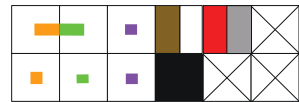
Kenwood
Cut Orange & Green Wire



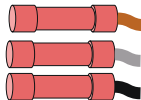
JVC
Cut Green & Purple Link



Zenec
Cut all 3 wires, solder Orange and Green together as shown



Use KEY 1, KEY 2 and GND Bullet terminals for Self Learn Head units



Self Learn
Head units
No cutting required



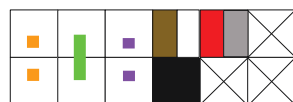
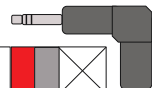
For SONY AV Head Units With Phone Pickup

We have added an alternative patch lead configuration to allow newer Sony units to work with the phone pickup button (model dependant-not all Sony units have this feature). Previously the Sony used the Pioneer/Sony config but if this is not working then changing to this new config should allow the phone button to work.

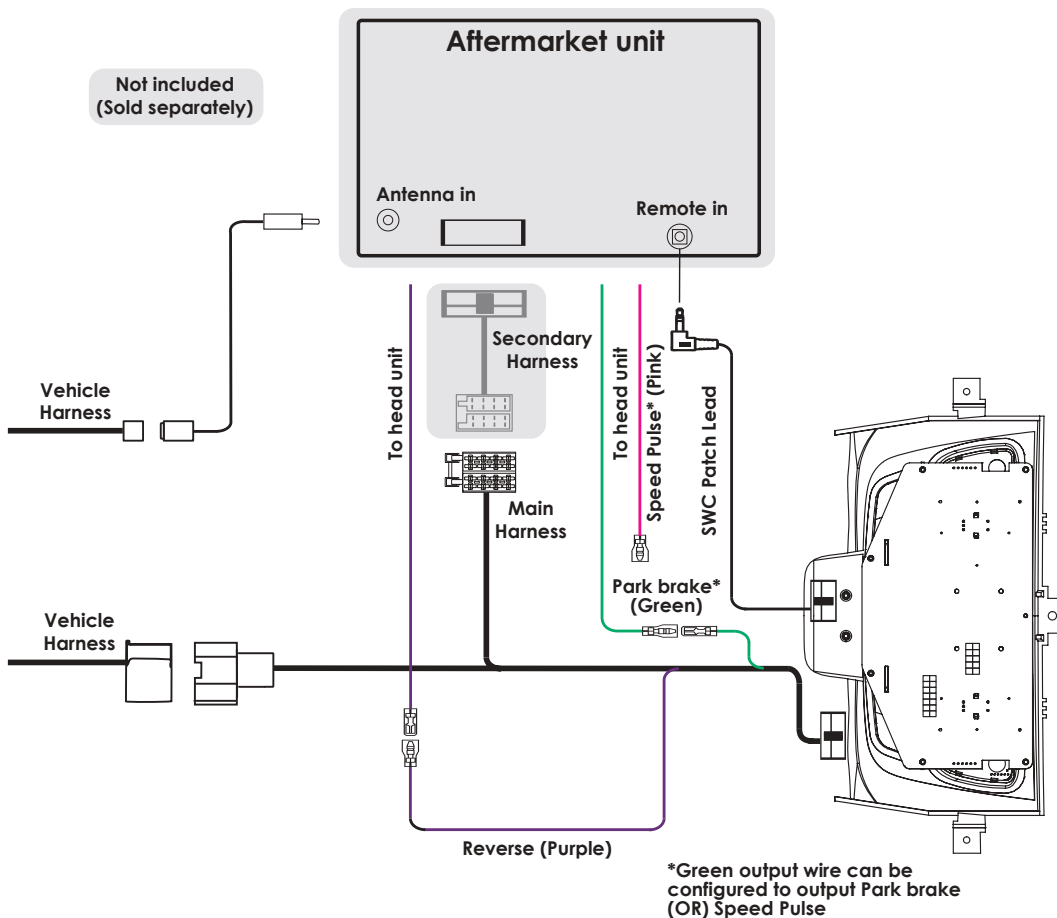
PLEASE NOTE: Remove power from the Aerpro kit (unplug main quadlock plug) before changing patch lead configurations. This will allow the kit to reset its programming.

Alternate Sony Programming
Cut Orange & Purple Wire

Use 3.5mm Jack



Technical assistance



Technical assistance

If you need assistance setting up or using your Aerpro product now or in the future, call Aerpro Support. Australia

TEL: 03 – 8587 8889



FAX: 03 – 8587 8866

Mon-Fri 9am – 5pm AEST

Please retain this user guide for future reference.

If you would like to download a digital copy of this manual, or other Aerpro manuals/software, please visit the <http://aerpro.com> website and click on ‘Firmware & Manuals’ for information on where to find the manuals/software.

This manual is considered correct at time of printing but is subject to change. For latest manuals and updates refer to the website.

Copyright © 2022 by TDJ Australia

All rights reserved. No part of this publication may be reproduced, distributed, or transmitted in any form or by any means, including photocopying, recording, copying or other electronic or mechanical methods, without the prior written permission of the author.

