

MAZDA 2 (DEMIO)



Car AV Installation Set

TBXE-T007

This set is designed for models with driver's seat on the right side (Japan models).

Installation Manual

Thank you very much for purchasing this Kanatechs Car AV equipment Installation Set.
Please carefully read and follow the instructions in this manual before installation.
Car owner should retain this manual for future reference.

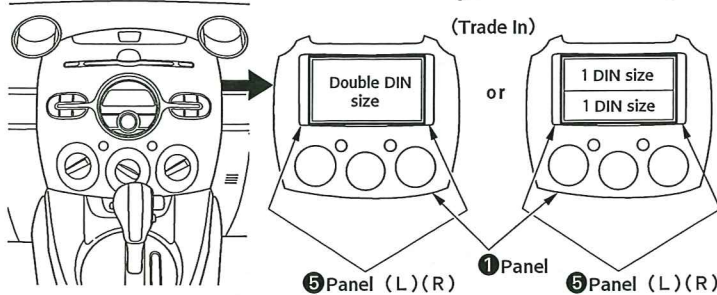
Compatible car make and models

※ This manual is written based on information as of November 2007.
Please verify the compatibility of this set for minor or major design changes on models after November 2007.

Model	Year	Compatibility
MAZDA 2 (DEMIO)	July 2007 - up	Exclusive special DEMIO panel, designed to fit the DEMIO's unique dash.

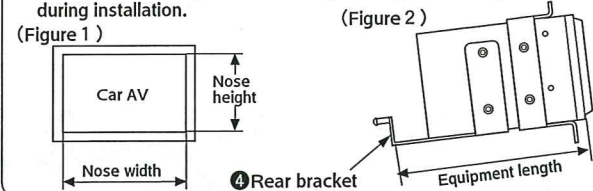
Designed Installation Size

◆ For 1DIN + 1DIN size and Double-DIN size.
※ Cannot install aftermarket car AV and Factory car radio / Factory pocket combination.



Caution

- The panel window of this set bundling is 174mm in width×99mm in height. (Figure1) Trimming of ⑤ Panel (L)(R) may be necessary to fit oversized Head units.
- The shortest depth dimensions of the vehicle side are 172mm (Figure2) Please consider depth dimensions (including back wiring) of car AV during installation.



Parts List

※ Please use enclosed parts according to instructions. Installing or using outside parts may result in damage to the vehicle or car AV equipment.

Part No.	Part name	Quantity	Part No.	Part name	Quantity
①	Panel	1	⑤	Panel (L)(R)	1 each
			⑥	Spacer	1 pair
			⑦	Rubber Bushing	1
②	Bracket (L)(R)	1 each	⑧	Power supply/front speakers/rear speakers Connector (24P)	1
			⑨	M 5 × 8 screw (Note 1)	6
③	Anchor bracket	1	⑩	φ 5 × 10 tapping screw (Note 1)	4
④	Rear bracket	1	⑪	M 4 × 5 screw (Note 1, 2)	2
			⑫	M 4 × 8 screw	2
			⑬	Speed pulse signal (low beam : For car model without Auto-leveling)	1

Step 1 ...Used for co-attachment of ⑤ Panel (L) (R), ② Bracket (L) (R) and ③ Side bracket.

Step 2 ..."M4×5 Hex washer head screw" is used with in-dash-sliding-front-panel type AV equipment (including Double-DIN size models) when shorter "M4×3 screws" are enclosed in the car AV equipment. Even though the car AV equipment manual may indicate to use the shorter screws, please use ⑩ "M4×5 flange screw" included in this package to properly attach the equipment with sufficient screw length.

Necessary tools

● Liner Remover



● ⊕ Phillips driver (#2)



● ⊖ Screw driver (narrow stem)



● Nippers



● Socket Wrench (10mm)



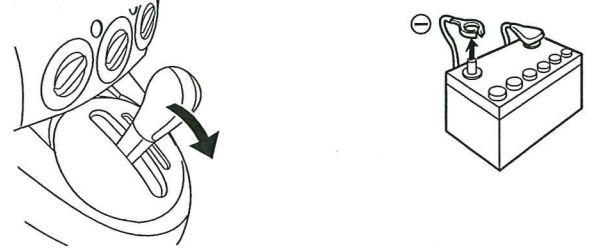
(Use this when acquiring speed pulse signal)

Read Before Starting the Wiring Work

- Warning** ⚠ Be sure to choke at least two wheels of the vehicle.
 - Caution** ⚠ Be sure that parking brake has been securely set and locked by fully depressing brake pedal or by pulling the parking brake hand lever.
 - Professional skills and experience are necessary for detaching, installation, and wiring work. Improper installation may cause serious damage to the vehicle and car AV equipment. For safety, please refer installation to dealers and specialized installation shops.
 - Do not install car AV equipment at places disturbing the forward view, interfering with driving operation (steering wheel, transmission lever, and brake pedal, etc.) or causing possible danger to passengers.
 - Watch for burrs on vehicle frames etc. to avoid injury.
 - Use care during removal and installation to prevent damage to vehicle side panels or car AV panels. etc. (Example: affix vinyl tape or masking tape to protect delicate parts for removal and installation.)
 - Use a magnetized screw driver when working in narrow spaces. Screw drivers can be magnetized by attaching the driver to a speaker magnet for about 60 seconds.
- Screws and clamps removed during the detachment may be needed for installation. Use care not to damage or misplace these parts.

1 Remove the Factory car audio.

- Shift the transmission to the N (neutral) position.
- Disconnect the ground terminal of the car battery. (To prevent electrocution or any damage to equipment during the wiring work.)



Step 1 . Detach the gear lever panel.

Step 2 . Remove the side cover left / right, and remove the centerconsole.

Caution ⚠ When removing a side cover, remove from front as shown. If removed from the back side, the hooks will be broken.

Step 3 . Remove cable retaining clip, pull out the glove box and remove the bolt which is installed in the left of the Factory car audio system.

Step 4 . Detach the Factory car audio system.
(Take off the wiring connector.)

Step 5 . Detach the Hazard button panel from the Factory car audio.

Bolt that hold the Factory car audio (1 bolt)
※Use Socket Wrench (10mm)

Gear lever panel (5 hooks)

Hazard button panel (2 hooks)

Factory car audio (2 screws / 8 hooks)
※Use ⊕ Phillips driver (#2)

Side cover right (1 retainer / 3 hooks)

Center console (2 screws / 9 hooks)
※Use ⊕ Phillips driver (#2)

Side cover left (1 retainer / 4 hooks)

Glove box

Push down retaining clip and remove cable from the hole.

Clip and cable.

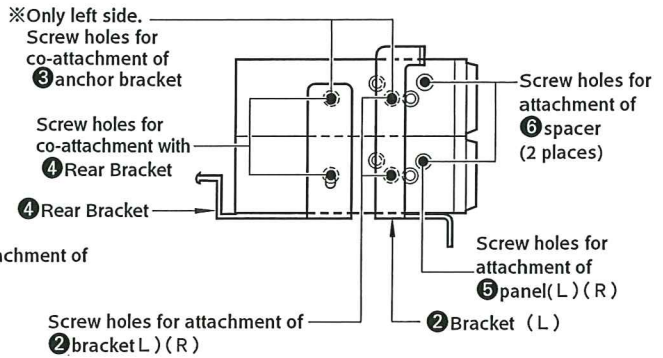
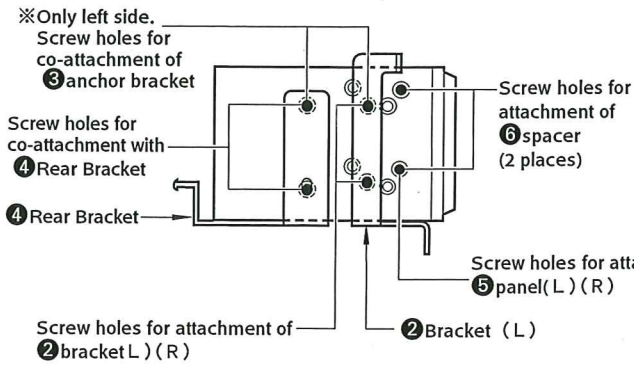
Hole of the glove box.

Attach rear bracket / bracket (L)(R) / spacer / panel(L)(R) followed by anchor bracket (left side) to the new car AV equipment.

- Tapped screw holes on car AV equipment. (●) Screw holes with this mark are used.
 - Holes used on Brackets. (●) Holes with these marks are used.
- (Please also refer to the installation manual of the car AV equipment.)

■ Double-DIN size (using 6 screws)

■ 1DIN+1DIN size (using 6 screws)

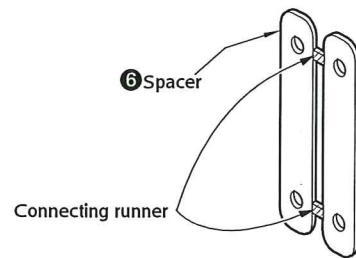
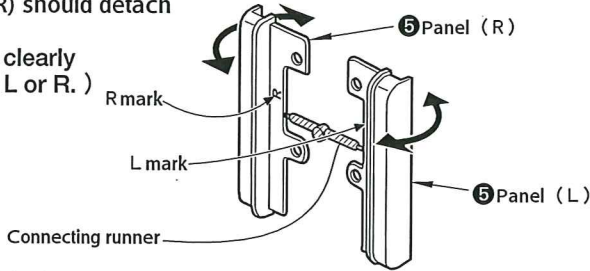


[Only the left side view is shown. The right side is in the mirror image of the left side.]

■ Panel (L) (R) need to be cut out before use.

- Bending at the cut marks on the connecting runner between each Panel (L) (R) should detach the parts.
(Each Panel is clearly marked with L or R.)

- Separate the spacer by cutting the connecting runner with a nipper.

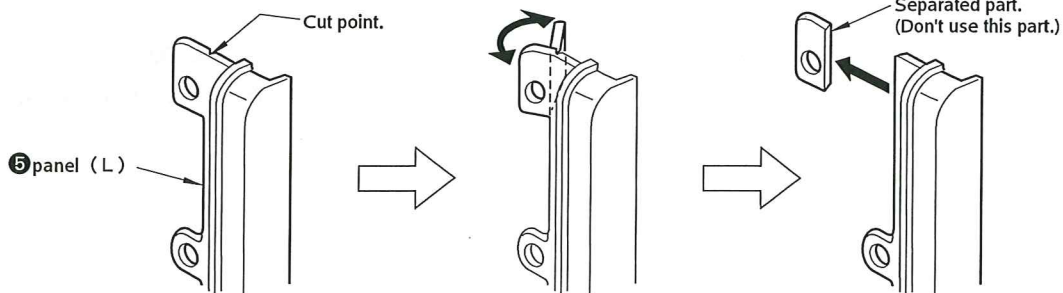


⚠ Caution

- ※ Use care to avoid injury.
- ※ Use caution not to damage surfaces any other parts.

■ Panel need to be cut out before use.

- The upper part of ⑤ panel (L)(R) included in this set interferes with the bracket. Therefore bend several times at the cut point of the upper part, and separate it.



[Figure shows the panel(L)(R) in a similar manner.]

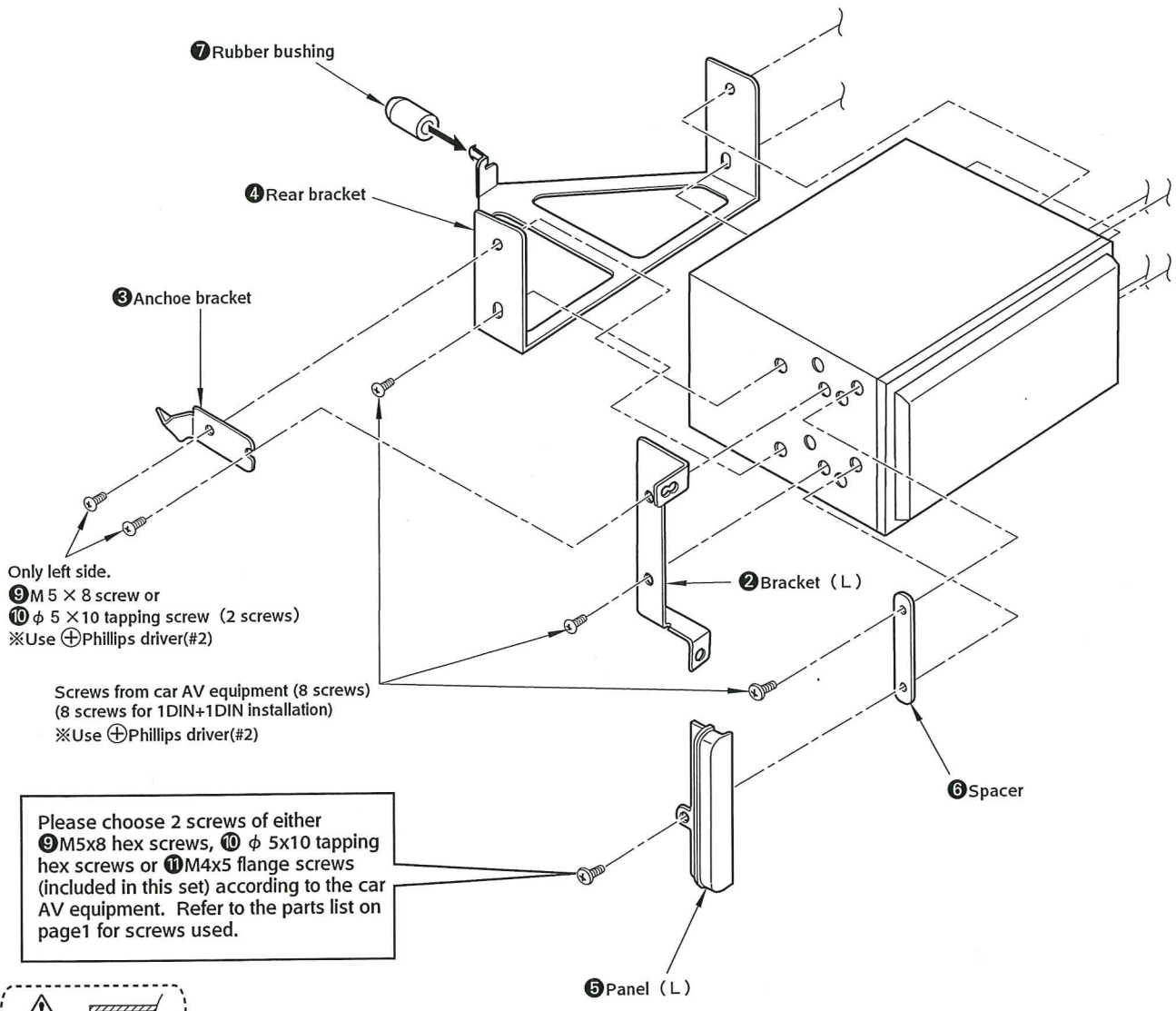
⚠ Caution

- ※ Use care to avoid injury.
- ※ Use caution not to damage surfaces any other parts.

Step 1 . Attach rear bracket, bracket (L) (R), spacer, Panel (L) (R) followed by anchor bracket (left side) to the new car AV equipment.

※Insert anchor bracket on top of rear bracket / bracket (L) to co-screw.

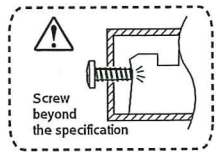
Step 2 . Insert Rubber bushing in back of Rear Bracket.



Only left side.
 ⑨ M 5 × 8 screw or
 ⑩ φ 5 × 10 tapping screw (2 screws)
 ※Use ⊕ Phillips driver(#2)

Screws from car AV equipment (8 screws)
 (8 screws for 1DIN+1DIN installation)
 ※Use ⊕ Phillips driver(#2)

Please choose 2 screws of either
 ⑨ M5x8 hex screws, ⑩ φ 5x10 tapping
 hex screws or ⑪ M4x5 flange screws
 (included in this set) according to the car
 AV equipment. Refer to the parts list on
 page1 for screws used.



- This figure shows the installation of Double-DIN size equipment. Equipment with 1DIN+1DIN size may be similarly installed.
- This figure shows the left side attachment. Attach the right side parts in a similar manner.

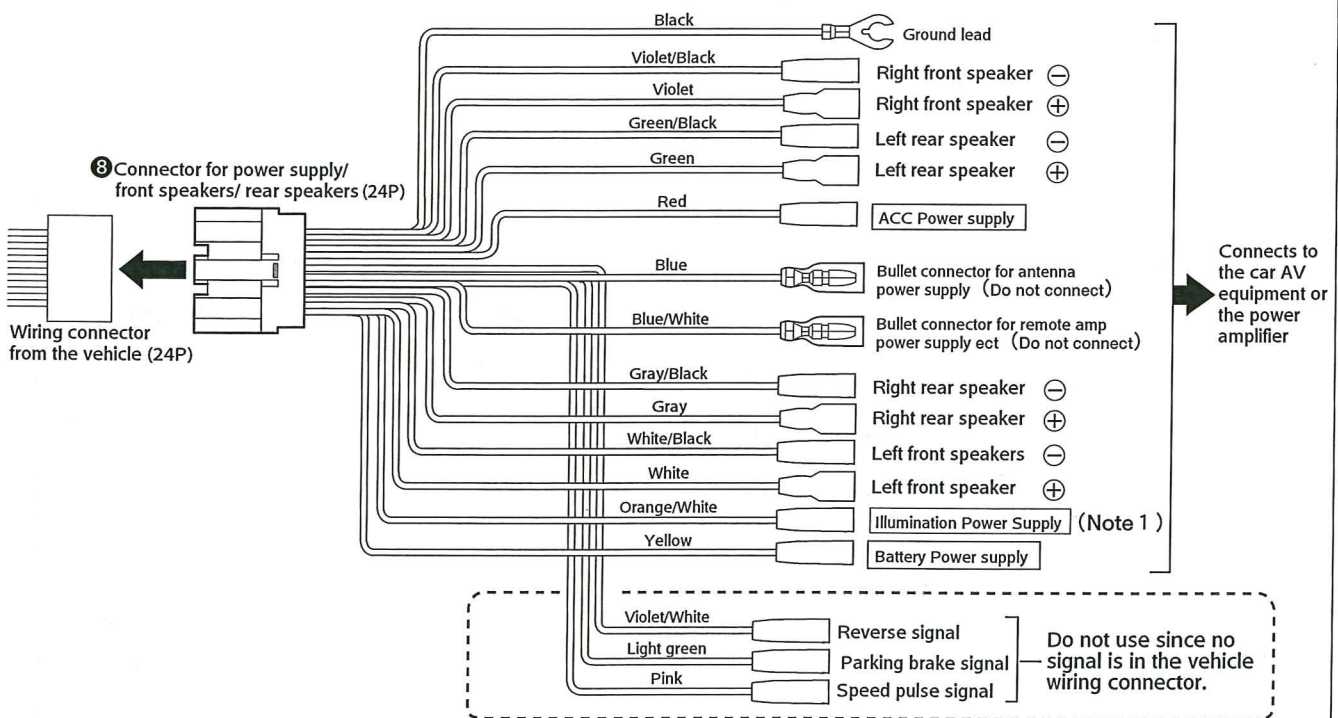


Cautions

◇ Check the following before starting the wiring work. ◇

- Make sure that the maximum total current load (refer to the specification in the car AV equipment manual) connected to the wiring connector is 10A or less, which is the current capacity of the vehicle's radio circuit.
- If the main AV unit does not include a power amplifier unit or if the vehicle's radio current capacity needs to be exceeded, use power supply cables from the car AV equipment manufacturer (a wiring kit for taking electric current directly from the battery).
- While the coloring code and shapes for wires in this set follows the JEITA specification, the car AV equipment manufacturer may use another coloring specification. Please refer to the car AV equipment installation manual for proper wiring.
- Please fully insert electric quick connectors, including the blade and bullet type connectors.
- When placing wires for installation, make sure that they are not caught in narrow spaces such as near the body frame, screw holes or near moving parts such as sheet rails. Bundle and securely affix them out of the way of vehicle operation (keep them away from the steering wheel, the transmission lever and the brake pedal path of motion).

■ Power supply / front speakers / rear speakers Connector (24P)



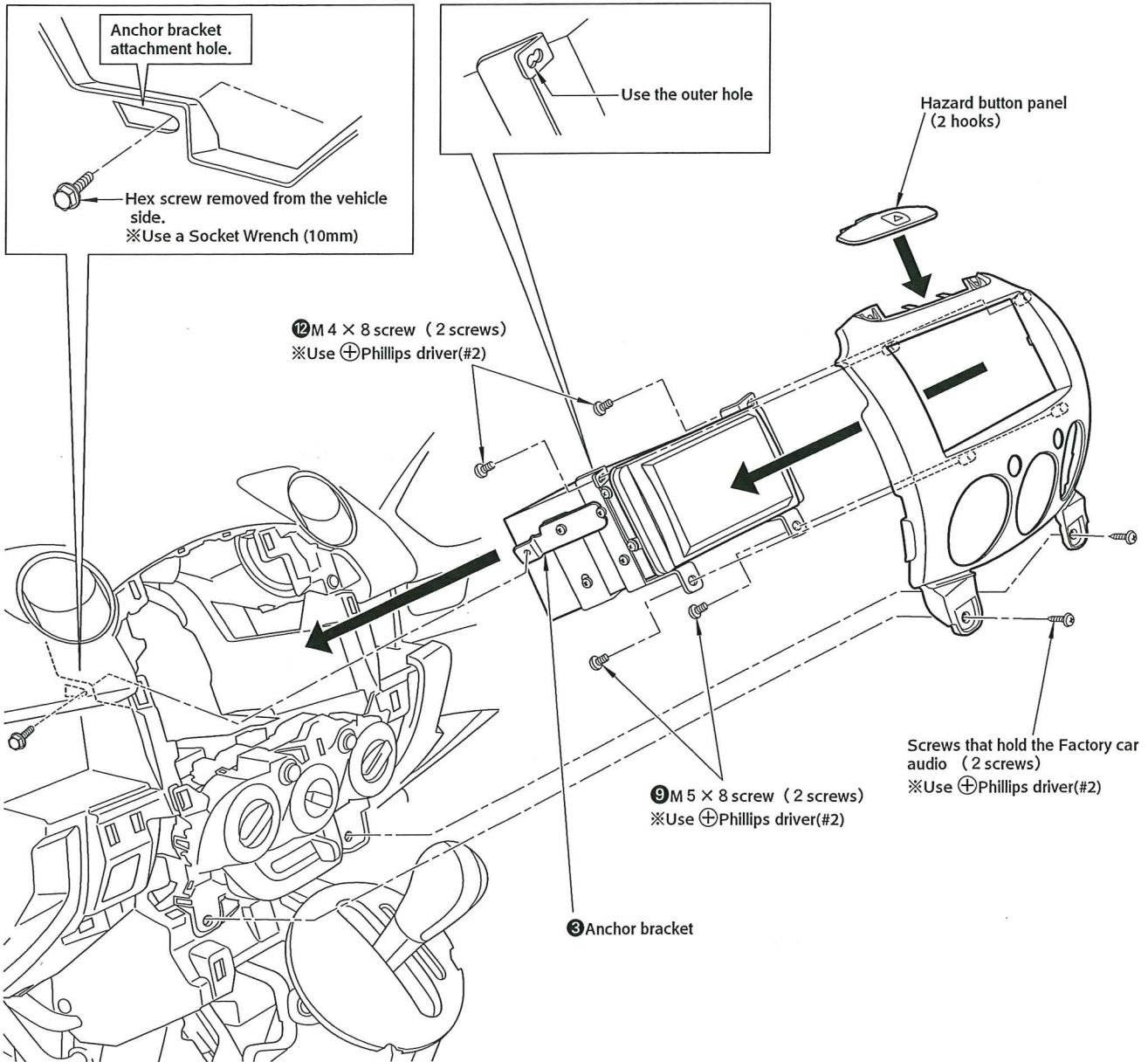
Note 1 . If the car AV equipment does not use the illumination power supply, it is not necessary to connect. (If not used please insulate. For example : with tape.)

4

Afer inserting the car AV into the back of the panel, install the car AV equipment in the dashboard and confirm its operation.

※When installing a car navigation system, refer to page 7.

- Step 1 . Install the hazard button panel previously removed from the car audio system onto the new panel.
 Step 2 . Install car AV in the backside of the panel and then install into the dash.
 ※Be careful not to pinch the wires.
 Step 3 . Fix the anchor bracket to the vehicle side.
 Step 4 . Connect the ground terminal of the car battery as before.
 Step 5 . Once restored, test operation of the car AV and air conditioner.

**5**

Restore parts (center console etc.) to their original position.

Connection information for a car navigation system

※It is possible that details may be modified by the car manufacturer. Please verify compatibility at car dealer.

■Connecting the speed pulse signal.

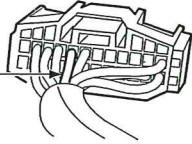
Step 1 . Lift the steering wheel lever and move the steering wheel to the lowest position.

Step 2 . Detach the meter cover.

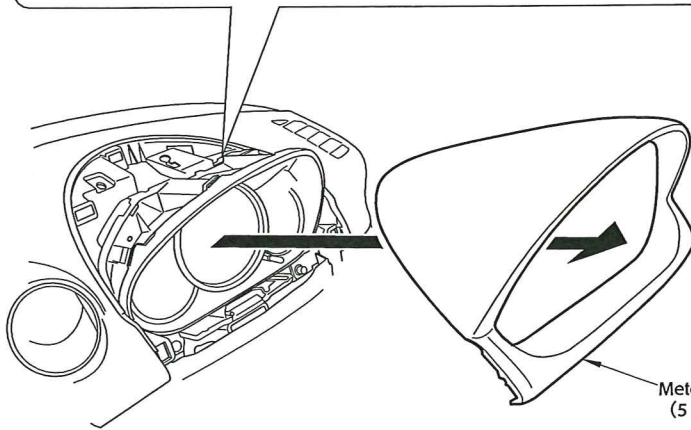
○Low beam : For car model with Auto-leveling.

- Connect the speed pulse signal cord of the car navigation to the (Green / Red) lead of the connector (24p) in the backside of the meter panel.

(Green/Red) lead at the upper row 5th hole from the left.



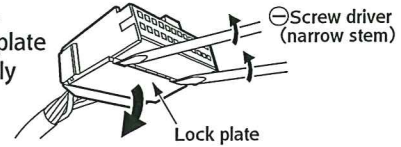
Connector (24P)



(Near the meter panel.)

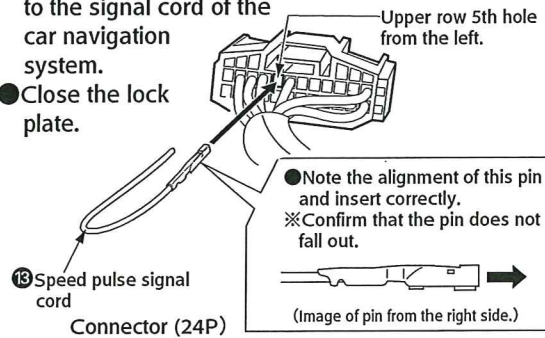
○Low beam : For car model without Auto-leveling.

- Insert a screw driver in 2 places at gaps in the bottom of the connector in the backside of the meter panel. Lift the lock plate approximately 1mm.



- Refer to the figure below. Insert the pin of ⑬ speed pulse signal cord included in this set into the 5th hole from the upper left and connect the other end to the signal cord of the car navigation system.

- Close the lock plate.



⑬ Speed pulse signal cord

Connector (24P)

(Image of pin from the right side.)

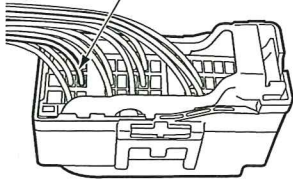
■Connecting the reverse signal / parking brake signal.

Step 1 . Remove the lower cover under the glove box of the passenger's seat.

○Connecting the reverse signal

Connect the reverse signal ⊕ cord of the car navigation to the (Red / Yellow) lead of the (Blue) 40p connector of the glove box backside.

(Red / Yellow) lead at the middle row 3rd hole from the left.

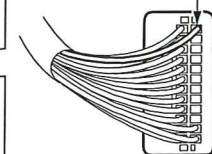


(Blue) 40p Connector

○Connecting the parking brake signal

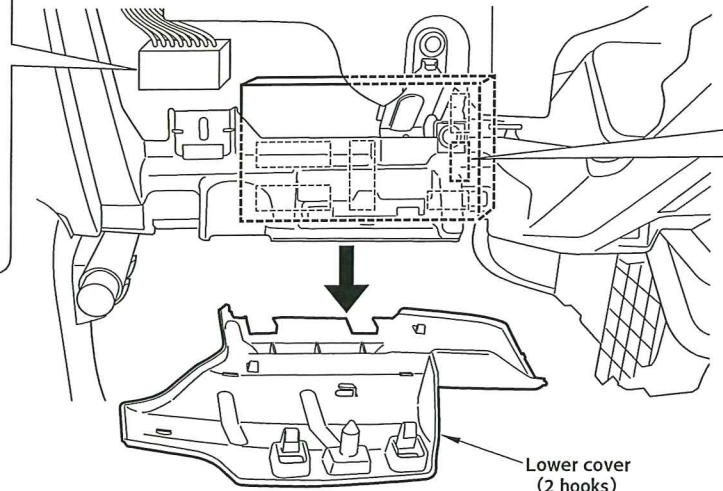
Connect the parking brake signal cord of the car navigation to the (Brown / White) lead of the (Gray) 24p connector of the glove box backside.

(Brown / White) lead at the top right corner



(Gray) 24P Connector

(Figure near the glove box of the passenger's seat.)



Lower cover (2 hooks)

⚠ Caution

- Do not start the engine, nor turn key to START position.
- The battery will drain if the ignition key is turned on for a long time.

※How to verify reverse signal connection.

Securely set the parking brake, turn the ignition switch to the ON position, and shift the transmission gear to the reverse position. Measure the voltage between the vehicle's frame (Non-painted metal) and the reverse signal 6P connector (Red/Yellow cord). The connector side should read about positive 12V. The voltage should read 0V by shifting the gear from R (reverse) into other positions.