

RX-8/MAZDA 3/MAZDA 6 Roadster



TRANSLATOR for MAZDA's BOSE Sound System

TBXE-X001

This set is designed for models with driver's seat on the right side (Japan models). **Installation Manual**

Thank you very much for purchasing this Kanatechs Translator set.
Please carefully read and follow the instructions in this manual before installation.
Car owner should retain this manual for future reference.

★This translator combines the wiring that is attached to an installation set for cars with a BOSE Sound System. The installation set is sold separately. Factory amplifier and Factory speakers are made usable by attaching this translator.

Compatible car make and models

※This manual is written based on information as of Dec.2013 models. Please verify the compatibility of this set for minor or major design changes on models after Dec.2013.

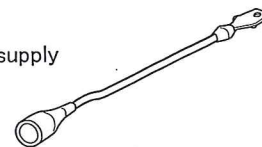
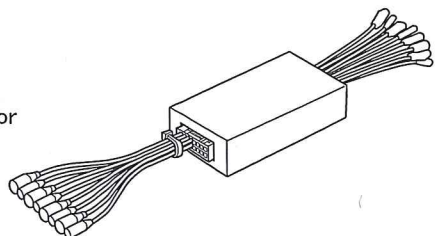
Model	Model Year	Compatibility	Note
MAZDA RX-8	Apr. 2003 – Jun. 2012	Cars with BOSE Sound System	Note1
MAZDA 6 Sedan / 5-Door / Wagon	May. 2002 – Jan. 2010	Cars with BOSE Sound System	Note1
MAZDA 3 4-Door	Oct. 2003 – Nov. 2013	Cars with BOSE Sound System	Note1
MAZDA 3 5-Door	Jun. 2006 – Nov. 2013	Cars with BOSE Sound System	Note1
MAZDA Roadster	Aug. 2006 – up	Cars with BOSE Sound System	Note1
MAZDA CX-7	Sep. 2009 – Dec. 2011	Cars with BOSE Sound System	Note1
MAZDA MPV	Fev. 2006 – up	Cars with BOSE Sound System	Note1

Note1. Some aftermarket 24p connectors do not have remote amplifier wires. In those cases please splice the vehicle side remote amplifier wire to the 24p connector at the position shown.

Parts List

※Please use the enclosed parts according to the Instruction. Installing or using parts outside of the Instruction may result in damaging the vehicle or car AV equipment; or malfunction or dislocation of the car AV equipment.

Part No.	Part name	Quantity	Part No.	Part name	Quantity
①	Translator	1	②	Remote amplifier power supply conversion cord	1



1

Wiring connector.



Cautions

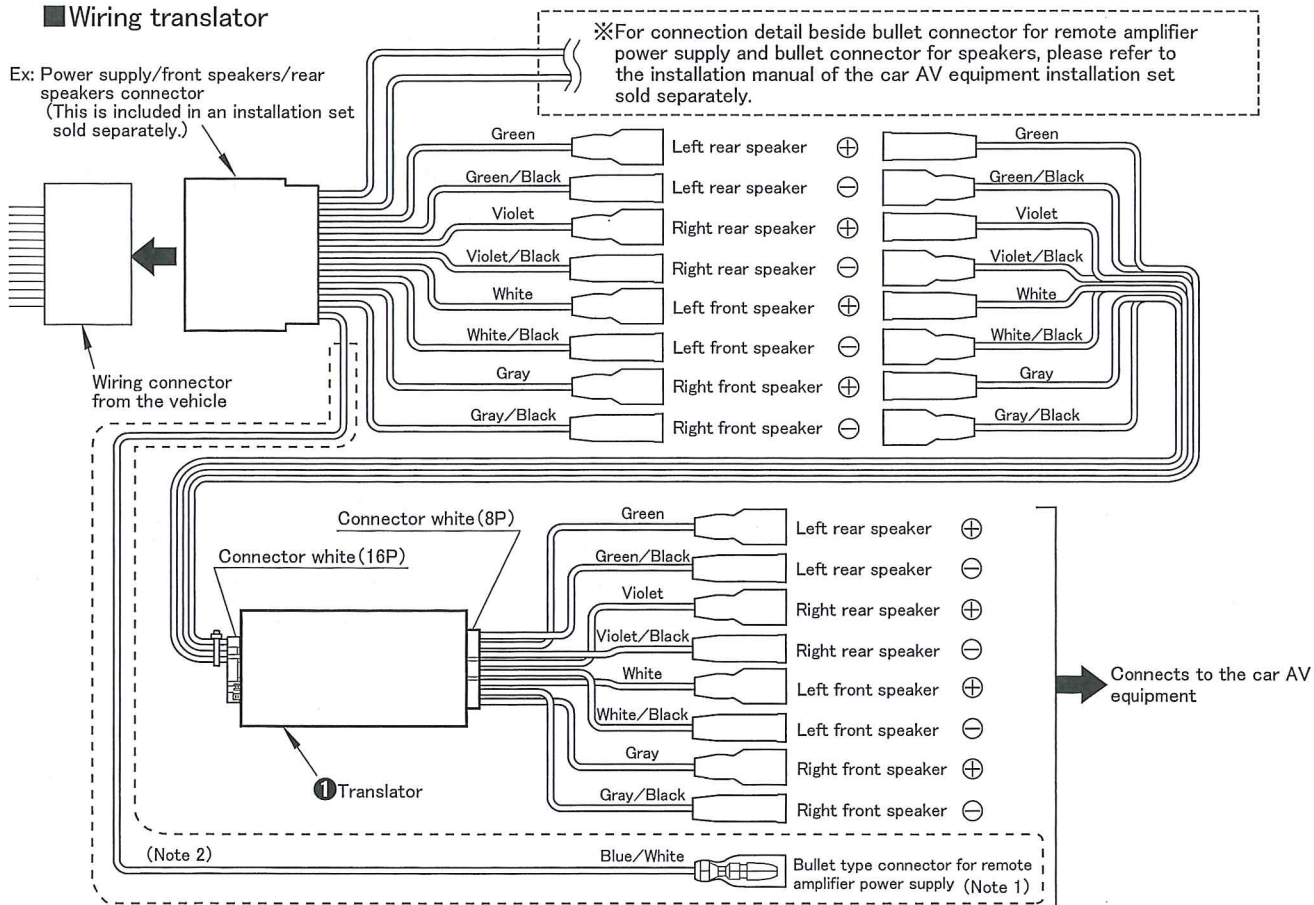
◇ Check the following before starting the wiring work. ◇

- While the coloring code and shapes for wires in this set follows the JEITA specification, the car AV equipment manufacturer may use other coloring specification. Please refer to the car AV equipment installation manual for proper wiring.
- Please fully insert electric quick connectors including the blade and bullet type connectors.
- When placing wires for installation, make sure that the wires are not caught in narrow spaces such as near body frames, screw holes or near moving parts such as sheet rails.

Bundle and securely affix the wires out of the way of vehicle operation (keep away from the steering wheel, the transmission lever and the brake pedal motion path).

■ Wiring translator

Ex: Power supply/front speakers/rear speakers connector (This is included in an installation set sold separately.)

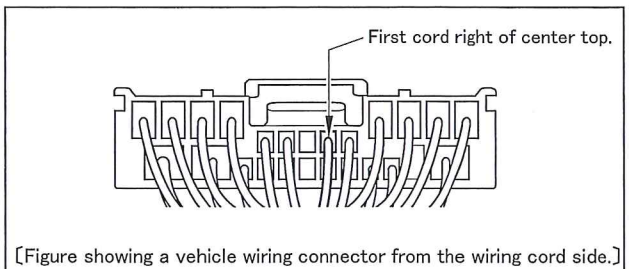


Note1. Connect the bullet type connector from the car AV equipment remote amplifier power supply so that the Factory amplifier and Factory speaker system can be used. If the car AV equipment does not use the remote amplifier power supply, insert ACC power. If not inserted, sound will not issue. If the remote amplifier power supply is not the bullet type connector specified by JEITA (such as the blade type connector), use the remote amplifier power supply conversion cord included in this set (See figure below).

Note2. For some after market 24p wiring connectors.

Some aftermarket 24p connectors do not have remote amplifier wires. In those cases please splice the vehicle side remote amplifier wire to the 24p connector at the position shown.

※When not connected, a sound does not emit.



■ Attach remote amplifier power supply conversion cord

