

INSPECTION CAMERA

2.7" Colour LCD Monitor

USER MANUAL



THANK YOU

Congratulations on your purchase of our Aerpro G5100 inspection camera. Please read the user manual carefully before using this product. This camera can live stream as well as record photos to the Internal flash drive storage.

FEATURES

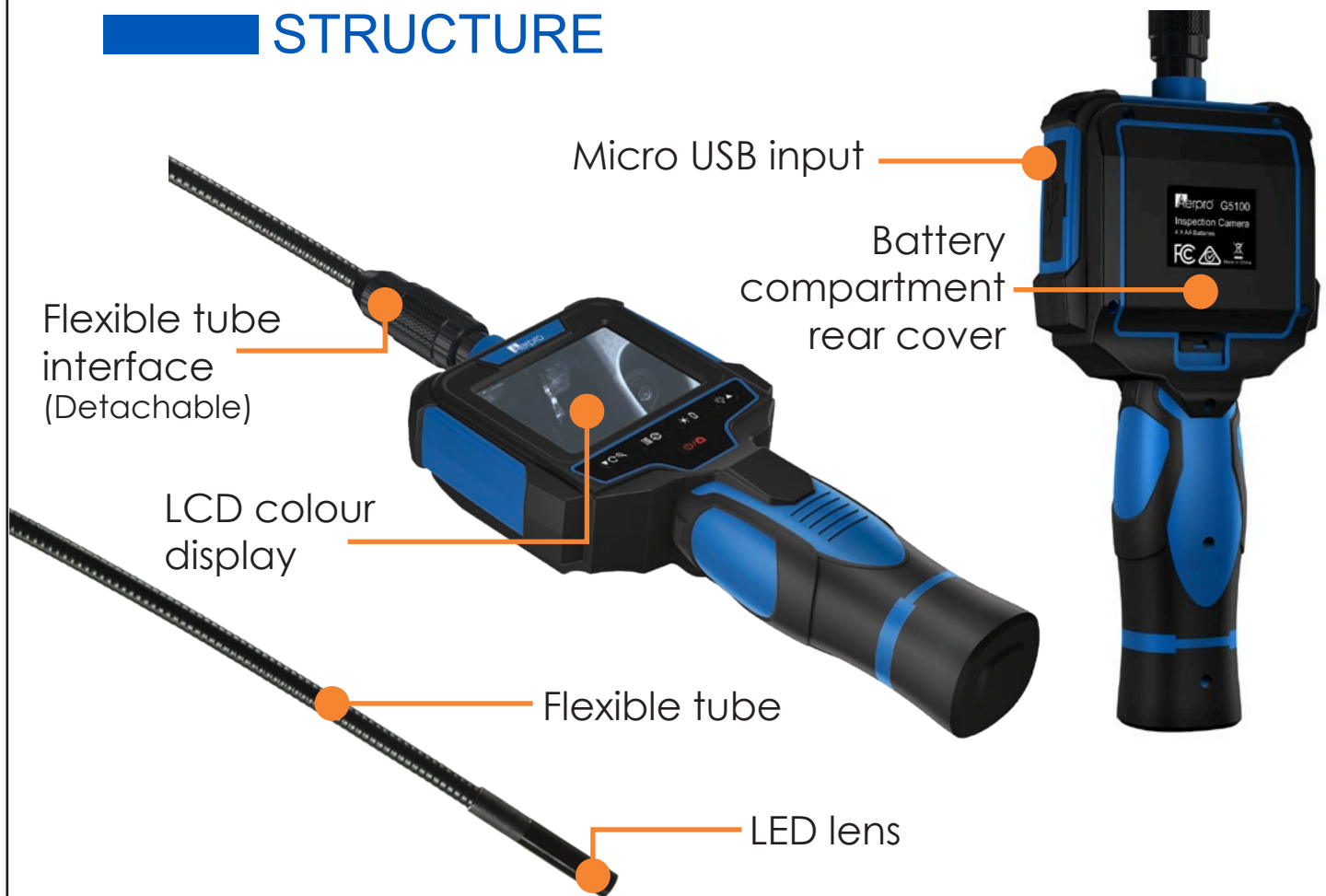
- 2.7 Inch LCD colour display
- 320*240 Screen resolution
- 8mm Camera lens diameter
- 1.2 Metre flexible snake tube length
- 640*480 Camera resolution
- IP67 Waterproof tube & camera head
- 1/6.5" CMOS sensor
- Dimmable LED light
- Rotate image
- Powered by 4 x AA Batteries (not included)
- Internal flash drive storage^

^Storage capacity is 120 photos, retrieved via Micro USB slot and included cable

INCLUSIONS

- 1x Inspection camera
- 1x Magnetic tip
- 1x Mirror tip
- 2x Hook tip
- 1x USB cable
- 1x Carry case

STRUCTURE

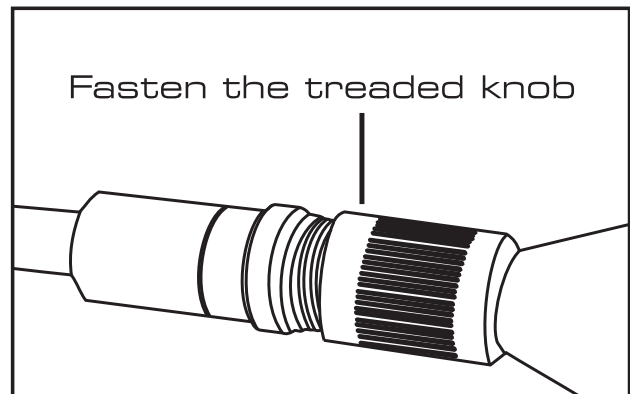
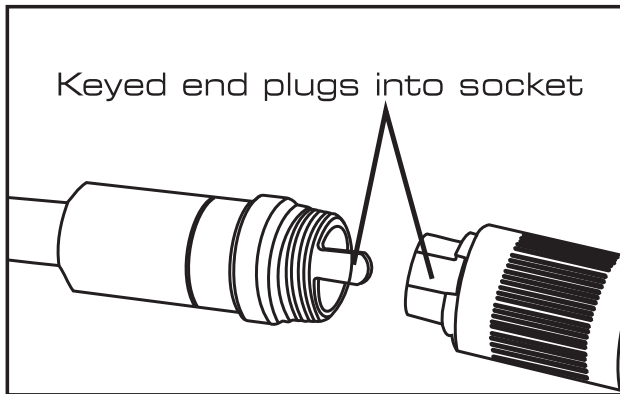


BATTERY INSTALLATION

1. Open the back cover of the battery compartment.
2. Insert 4 AA batteries (Not included) into their appropriate slots, with the proper orientation as indicated on the battery compartment.
3. Replace the battery cover.

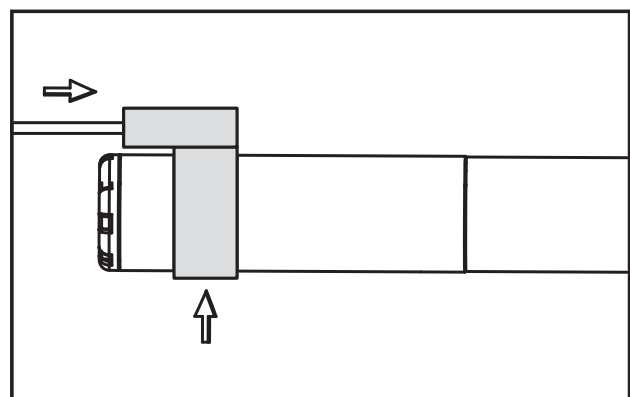
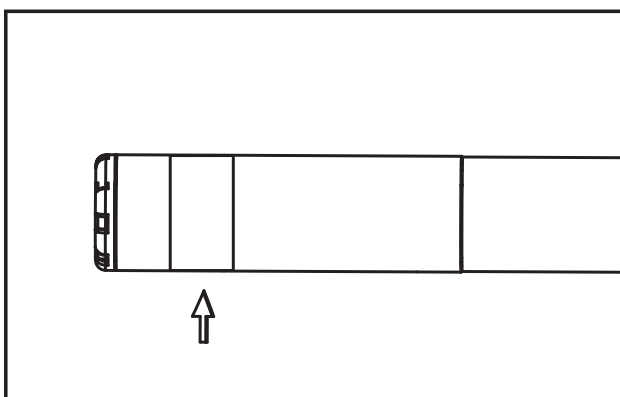
ATTACHING THE FLEXIBLE TUBE

First make sure the keyed end of the tube is aligned with the slot in the handle. Then use slight force to push them together. Once aligned, twist the threaded knob anti-clockwise until the connection is secure.



ATTACHING ACCESSORIES

To attach the included accessories (Mirror, hook and magnet) to the camera head as illustrated below.








Align the attachment with the recessed groove on the camera head. Then clip the attachment together to firmly secure it to the camera head.

KEY LAYOUT & DESCRIPTION



-  1. Power On/Off/Snapshot
-  2. Downward/Rotate/zoom
-  3. LED Light/Upward
-  4. LCD Backlight/Delete
-  5. Playback/Colour

KEY FUNCTION

KEY		OPERATION MODE				
FUNCTION	PRESS TIME	OFF	LIVE VIEW MODE	PLAYBACK MODE	DELETE PHOTO MENU MODE	BLACK & WHITE MODE
	SHORT	X	Snapshot	X	Delete all photos	Snapshot
	LONG	Power ON	Power OFF	Power OFF	Power OFF	Power OFF
	SHORT	X	Rotate	Previous photo	X	Rotate
	LONG	X	Zoom	X	X	Zoom
	SHORT	X	Adjust LED brightness	Next photo	X	Adjust LED brightness
	LONG	X	X	X	X	X
	SHORT	X	Adjust LCD backlight	Enter Delete photo mode	Delete Single photo	Adjust LED backlight
	LONG	X	X	X	X	X
	SHORT	X	Enter Playback mode	Exit Delete photo mode	X	Enter Playback mode
	LONG	X	Enter Black & White Mode	X	X	X

OPERATING

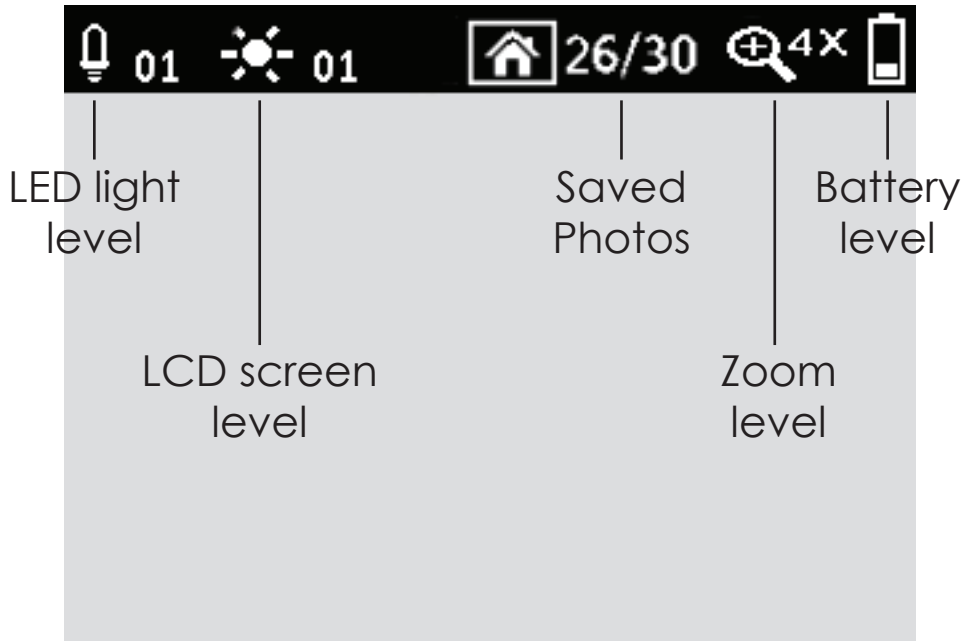
Power On/Off/Snapshot



Long press to turn the display On/Off.

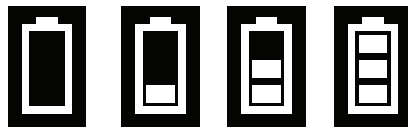
Short press in Live View Mode to take a snapshot (picture).

Short press in Delete Photo Menu Mode to delete all pictures.



Battery indicator

The battery power icon is displayed in the upper right corner of the screen. The battery indicator has 4 levels on the display.



Downward/Rotate/zoom



Long press in Live View Mode to zoom. There are four zoom modes 1X, 2X, 3X, 4X.



Short press in Live View Mode to rotate the image.

Short press in Playback Mode to view the previous picture (photo).

OPERATING

LED Light/Upward



Short press in Live View Mode to turn the LED light On/Off and brightness level.

Short press in Playback Mode to select next picture (photo).

LCD Backlight/Delete



Short press in Live View Mode to adjust the LCD screens brightness.

Short press in Playback Mode to enter into deleting picture (photo) mode.

Short press in Delete Photo Menu Mode to delete a single picture (photo).

Playback/Colour



Short press in Live View Mode to enter playback mode.

Short press in Playback Mode to exit Delete Photo Menu Mode.

Long press in Live View Mode to change from colour to black & white screen view.

SPECIFICATIONS

Camera Lens Diameter	8 mm
Snake Tube Length	1.2 metre
Camera resolution	640*480
Screen resolution	320*240
Screen Size	2.7 Inch LCD colour display
IP67 Rated	Waterproof tube & camera head
Sensor	1/6.5" CMOS sensor
Dimmable LED light	Support
Rotation Angle	Support
Snake Tube Material	Flexible Metal Tube
Battery Type	4 x AA Batteries (not included)
Internal flash drive storage[^]	Storage capacity is 120 photos

TECHNICAL ASSISTANCE

If you need assistance setting up or using your Aerpro product now or in the future, call Aerpro Support Australia

TEL: 03 – 8587 8898 FAX: 03 – 8587 8866 Mon-Fri 9am – 5pm AEST

EMAIL: service@tdj.com.au

This manual is considered correct at time of printing but is subject to change. For latest manuals and updates refer to the website.